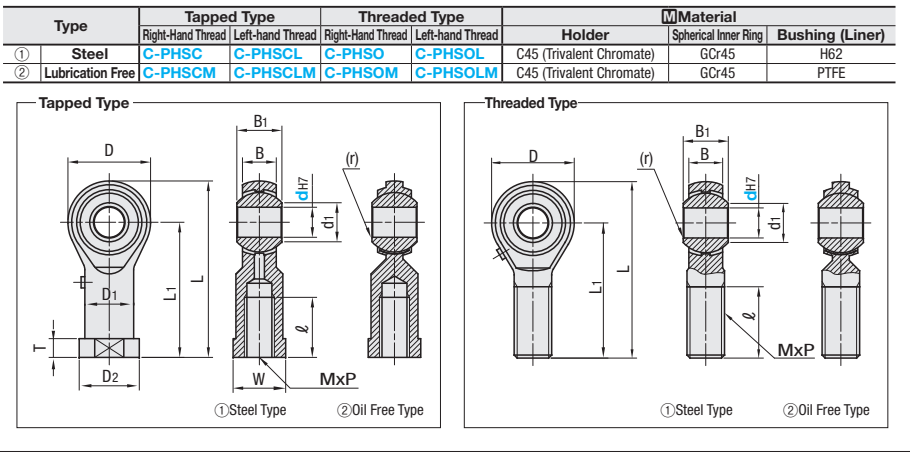


MISUMI C-VALUE Rod End Bearings

Comparing points of Similar Products | RoHS Directive unchecked.

Ordering Example
Part Number (Type · d)
C-PHSC8

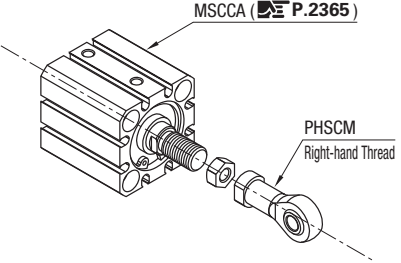
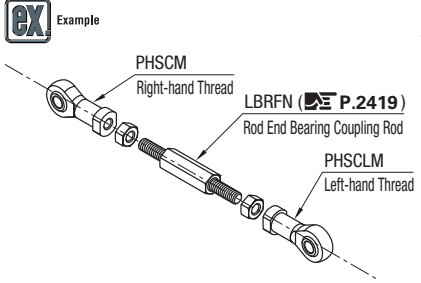


Part Number	Type	d	D		D1		D2		L		L1	MxP	ℓ	B	B1	T	W	d1	(r)	Static Load Capacity Radial Cs (kN)		Mass	
			①	②	①	②	①	②	①	②										①	②		
Tapped Type		5	16	19	8.5	9	11	35	36.5	27	M5×0.8	10	6	8	4	9	7.7	0.3 ~ 0.5	5.7	6	16	18	
			18	21	10	10	13	39	40.5	30	M6×1.0	12	6.75	9	5	11	8.96		7.2	7.65	22	26	
Right-Hand Thread C-PHSC C-PHSCM		8	22	25	12.5	16	47	48.5	36	M8×1.25	16	9	12	6.5	14	10.4	14	12.9	11.6	12.9	47	47	
			26	29	15	19	56	57.5	43	M10×1.5	20	10.5	14						17	14.5	18	77	77
Left-hand Thread C-PHSC/L C-PHSCLM		12	30	33	17.5	17.5	22	65	66.5	50	M12×1.75	22	12	16	8	19	15.4	19	14.5	-	77	-	
			34	-	20	-	25	74	-	57	M14×2.0	25	13.5	19					17	24	100	100	
14 14A 16		14	34	-	-	-	25	74	-	57	M14×1.5	25	13.5	19	8	22	16.9	19.4	24	-	160	-	
			40	43	22	22	27	84	85.5	64	M16×2.0	28	15	21					17	24	100	100	

① Steel, ② Lubrication Free

Part Number	Type	d	D		L		L1	MxP	ℓ	B		B1	d1	(r)	Static Load Capacity Radial Cs (kN)		Mass					
			①	②	①	②				①	②				①	②						
Threaded Type		5	16	19	41	42.5	33	M5×0.8	20	6	6	8	7.7	0.3 ~ 0.5	5.7	6	13	14				
			18	21	45	46.5	36	M6×1.0	22	6.75	6.7	9	8.96		7.2	7.65	20	20				
Right-Hand Thread C-PHSO C-PHSOM		8	22	25	53	54.5	42	M8×1.25	25	9	9	12	10.4	6.5	11.6	12.9	30	38				
			26	29	61	62.5	48	M10×1.5	29	10.5	11	14	12.9		14.5	18	55	55				
Left-hand Thread C-PHSOL C-PHSOLM		12	30	33	69	70.5	54	M12×1.75	33	12	12	16	15.4	8	17	24	85	85				
			34	37	77	78.5	60	M14×2.0	36	13.5	14	19	16.9		24	31	140	140				
14 16		14	34	-	-	-	25	74	-	57	M14×1.5	25	13.5	19	8	22	16.9	19.4	24	-	160	-
			40	43	86	87.5	66	M16×2.0	40	15	15	21	19.4	17		24	210	210				

① Steel, ② Lubrication Free



Comparison with Quality Products

	C-VALUE Products	Quality Products
RoHS	Non-Compliant	Compliant
Dimension *	D Dimension Thick	D Compact
Static Radial Cs	High	Standard
Clearance (Gap)	Equivalent	
Ball Movement	Equivalent	
Tensile Strength	Equivalent	

* For details of dimensions, refer to the specification table.