


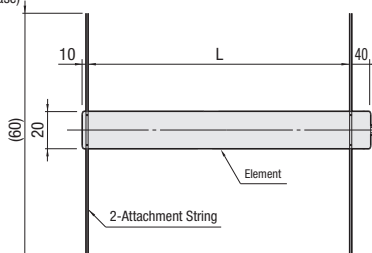
# Ribbon Heaters

**■ Ribbon Heaters**



RoHS 10

**MRBH** (Standard Type)  
**MRBHF** (Fluorine Coating Type)  
 (100V, 200V / Single-phase)



Lead Wire (500)  
For 200V  
For 100V

Element

Type	Material		
	Element	Lead Wire	Lead Wire Film
MRBH	Glass Cloth	Nickel (Ni)	Glass Lead
MRBHF	Glass Cloth (Fluorine Coating)	Copper (Cu)	Fluorine Lead

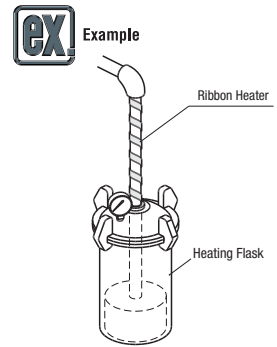
⚠ Maximum Operating Temperature  
 Standard Type :350°C  
 Fluorine Coating Type :200°C

⚠ Plug is included with MRBH, MRBHF1, 2 (for 100V).

Part Number Type	No.	L	W (Electric Power)	V (Voltage)	Electrical Power Density (W/cm <sup>2</sup> )	Unit Price	
						MRBH	MRBHF
<b>MRBH MRBHF</b>	1	1000	100	100	0.5		
	2	2000	200				
	3	1000	100				
	4	2000	200	200			
	5	3000	300				

 Ordering Example

**Part Number**  
MRBH5



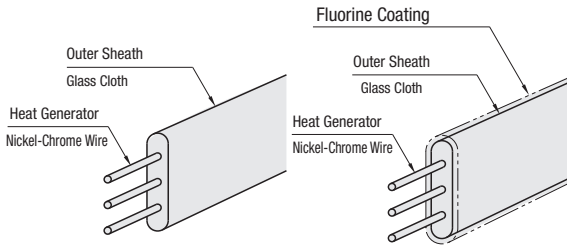
**■ Features:** Belt-shaped heaters easily attachable to piping and tanks.

- **Standard Type**
  - Excels in heat resistance as the sheathing of the heater is glass cloth.

**■ Basic Structure**

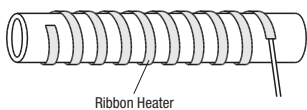
- This is a heater that has glass cloth covering the heat generating body. As for the fluorine coating type, the heat generating body is covered with glass cloth by fluorine coating.

**■ Basic Structure Diagram**



**■ How to Mount**

- After winding over a pipe, fasten the heater with the mounting strap.



• **Fluorine Coating Type**

- As the fluorine coating has been applied on the glass cloth sheathing, particle generation is controlled.

**■ Precautions for Use**

- ⚠ Do not let the heaters run idle in the atmosphere. It may cause fires and broken wire. Ensure the heater is closely contacted with a heated object when using.
- ⚠ Prevent the heaters from getting wet with water, oil or humidity, because the surface is glass cloth sheathing.
- ⚠ Do not install by overlapping the heater.
- ⚠ Pay attention to the current contact conditions to connect wire terminals properly.
- ⚠ Do not use over the rated voltage (V).
- ⚠ When removing the heater from the heated object, make sure the power is turned off. Do not touch the heater immediately after the power is turned off.
- ⚠ Use the temperature controller for safety.

**■ How to Determine the Number of Winding**

