

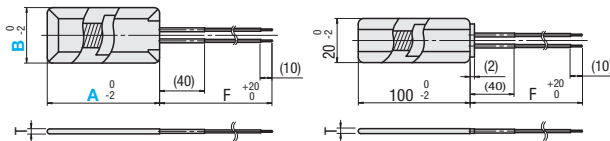
Plate Heaters



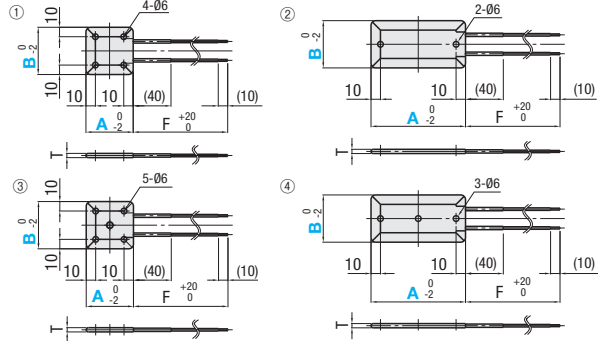
RoHS 10

MPHK (Lead Wire Type)
(100V, 200V / Single-phase)

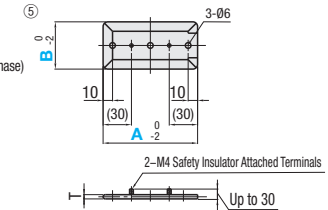
MPHK-100-20 only



MPHKH (Through Hole) (100V, 200V/Single-phase)



MPHKT
(Terminal Attached)
(100V, 200V/Single-phase)



⊕ Maximum Operating Temperature: 300°C

Plate Heaters (with Lead Wire)

Part Number Type	A	B	V (Voltage) Selection	W (Electric Power)	F (Lead Wire Length) mm	T	Electrical Power Density (W/cm ²)	Unit Price
MPHK	50	50	100	80	1000	4.5±1	3.0	
			200					
	60	60	100	100				
			200					
	100	20	100	80				
			200					
		50	100	150				
			200					
	100	100	250					
		200						
150	150	100	500					
		200						

Plate Heaters (with Through Holes)

Part Number Type	A	B	V (Voltage) Selection	W (Electric Power)	F (Lead Wire Length) mm	T	Electrical Power Density (W/cm ²)	Shape	Unit Price
MPHKH	100	100	100	250	1000	4.0±1	2.5	①	
			200						
	150	150	100	500					
			200						
	200	50	100	200					
			200						
	100	100	100	400					
			200						
	250	50	100	250					
			200						
300	50	100	350						
		200							

Plate Heaters (Terminal Attached)

Part Number Type	A	B	V (Voltage) Selection	W (Electric Power)	T	Electrical Power Density (W/cm ²)	Shape	Unit Price
MPHKT	250	50	100	200	4.0±1	1.6	⑤	
			200					
			100	300		2.0		
			200					



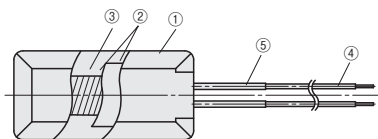
Ordering Example

Part Number - A - B - V - W
MPHK - 100 - 20 - V200 - W80

Features of the Plate Heater

This plate type heater uses heat-resistant metal plate (SUS430) which covers a resistance ribbon wire which is insulated with mica.

Basic Structure of the Plate Heater



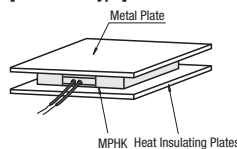
No.	Name	Material
①	Cover of the Heater	SUS430
②	Mica for Insulation	Synthetic Mica
③	Nickel-chrome Wire	Nickel Chrome Ribbon Wire
④	Lead Wire	Nickel Copper Glass Fiber Coated Wire
⑤	Tube	Glass Fiber

Precautions for Use

- ⊕ Never operate the heater when it is empty. Doing so may result in damage to the unit.
- ⊕ Apply electric power under the condition in which an object such as metal to be heated is attached to the heater.
- ⊕ Attach the object so that the heater comes into close contact with the surface to be heated. Leaving a gap will cause the wire to break earlier than its service life.
- ⊕ Make sure that the lead wire is not touching the metal plates when the heater is sandwiched between them.
- ⊕ The heater is not waterproof. Never expose the heater to water or any other liquids.
- ⊕ Do not use over the rated voltage (V).
- ⊕ Use the temperature controller for safety.

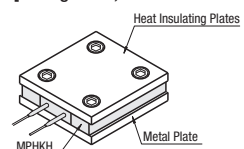
How to Mount

[Lead Wire Type]



⇒ Sandwich it with metal plate and insulation plate.

[Through Hole, Terminal Attached]



⇒ Fix the heater with screws.