

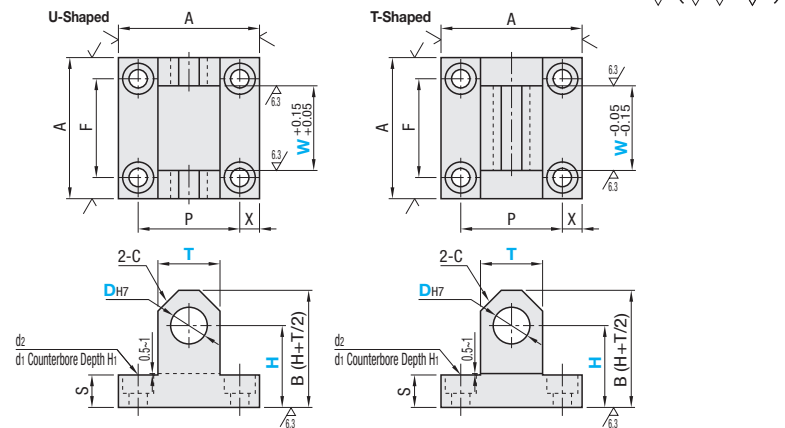
# Thick Hinge Bases

## Center Fulcrum 4 Mounting Points

■ **Features:** High Strength among Hinge Bases with 4 mounting points.



Type		Material	Surface Treatment
U-Shaped	T-Shaped	S45C Equivalent	Black Oxide
HGCJB	HGCKB		Electroless Nickel Plating
HGCJM	HGCKM		



Part Number	Type	DH7	T Selection	W 1mm Increment	H 1mm Increment	A	F	P	X	S	d2	d1	H1	C	Unit Price			
															U-Shaped		T-Shaped	
															HGCJB	HGCJM	HGCKB	HGCKM
U-Shaped HGCJB HGCJM	4	12	4~8	20~30	32	18	22	5	7.5	4.5	8	4.5	3					
	5	16	5~10		27	5.5	4											
		19			28.5	4.75	5											
	6	16	6~12		27	5.5	4											
		19		28.5	4.75	5												
	8	19	8~16	32	6.5	5												
		22		33.5	5.75	6												
	10	19	10~20	32	6.5	9.5	5.5	9.5	5.5	5								
		22		6														
		25		7														
		28		7														
	12	22	12~30	36	7	11.5	6.5	11	6.5	5								
		25		6														
		28		7														
		30		7														
	14	25	14~30	43	8.5	11.5	6.5	11	6.5	6								
30		7																
35		7																
40		8																
15	25	14~30	45	7.5	11.5	6.5	11	6.5	7									
	30		7															
	35		7															
	40		8															
16	25	14~30	43	8.5	11.5	6.5	11	6.5	7									
	30		8															
20	30	20~35	45	7.5	11.5	6.5	11	6.5	8									
	38		8															
25	38	25~35	48	8.5	16	9	14	9	8									
	45		11															

Ordering Example: Part Number - T - W - H  
 HGCJB20 - T30 - W30 - H45  
 HGCKB6 - T19 - W10 - H27

■ **List of Diameter (DH7), Thickness (T) and Thickness on One Side**

DH7	Hinge Bases Standard (P.1583)			Hinge Bases Thick		
	T	Thickness on One Side (T-DH7)/2		T	Thickness on One Side (T-DH7)/2	
4	9	2.5	-	12	4	-
5	12	3.5	-	16	5.5	19
		3	-		5	22
6	12	3	-	19	5.5	22
		4	-		4.5	25
8	16	4	-	22	5	25
		3	-		4.5	30
10	19	3.5	-	25	5	30
		3	-		4.5	38
12	22	4	-	30	5.5	38
		3.5	-		5	-
13	25	3	-	38	4.5	-
		4	-		6.5	-
14	25	3	-	45	4.5	-
		4	-		6.5	-
15	30	3	-	54	4.5	-
		4	-		6.5	-
16	30	3	-	63	4.5	-
		4	-		6.5	-
20	38	2.5	-	72	5	-
		2.5	-		6.5	-

■ **Features:** The hole's thickness on one side is selectable by working load.