


# Hinge Bases

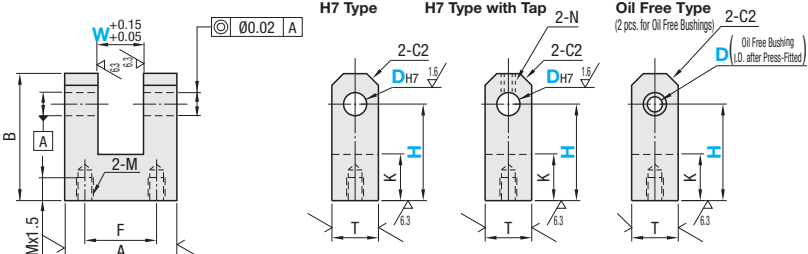
## Bottom Side Mounting U-Shaped

■ **Features:** Bottom Side Mounting makes space-saving in width possible.



W Fixed		W and H Configurable			M Material	S Surface Treatment	A Accessory (H7 Type with Tap)
H7 Type	Oil Free Type	H7 Type	H7 Type with Tap	Oil Free Type			
HKUB	-	HGBUB	HGBUBT	-	S45C Equivalent	Black Oxide	Set Screw 2 pcs. (SUS304)
HKUM	-	HGBUM	-	-		Electroless Nickel Plating	
HKUS	HKUSM	-	-	HGBUSM	SUS304	-	

25 / (√6.3 / 1.6 / √)



RoHS10

### W Fixed

Type	Part Number			H 1mm Increment	W	A	F	B	K	T	M (Coarse)	Oil Free Bushing	
	D	H7 Type D Tolerance	Oil Free Type D Tolerance (Reference)									d (I.D.)	L (Overall Length)
(H7) HKUB HKUM HKUS	2	+0.01 0	-	15-20	4	13	7	H+3	10	6	M3	-	-
	3	0	-	20-25	6	16	8	H+5		9		-	-
	4	+0.012 0	+0.062	25-30	8	19	11	H+6	12	12	M4	4	4
	5	0	-			25	16			5		6	
	6	+0.015 0	+0.065	30-40	10	32	20	H+8	14	16	M5	6	10
	8	0	-			38	26			8		12	
	10	+0.018 0	+0.068	35-45	12	50	38	H+10	19	15	M6	10	15
	12	0	-							12		15	12
	13	+0.018 0	-	40-50	16	36	H+12	15	22	22	M8	-	-
	14	0	-							16		22	-
15	+0.021 0	-	40-50	20	65	47	H+14	18	25	M8	-	-	
16	0	-							20		30	-	-
20	+0.021 0	-	40-50	30	65	47	H+17	18	30	M8	-	-	
25	0	-	40-50	30	65	47	H+17	30	30	M8	-	-	

⚠ For detailed dimensions of Hinge Pin, see P. 1-908.

### HGBUSM Oil Free Bushing

D	W	d (I.D.)	L (Overall Length)
4	8	4	5
	9	4	4
	9	5	6
5	10	5	6
	12	5	5
	10	6	10
6	12	6	8
	15	6	6
8	15	8	10
	16	8	10
10	15	10	15
	16	10	15
	18	10	15
12	15	12	15
	16	12	15
	20	12	12

### W and H Configurable Type (For Oil Free Type, H dimension is fixed)

Type	Part Number			H7 Type / H7 Type with Tap		Oil Free Type		A	F	B	K	T	M (Coarse)	N	
	D	H7 Type D Tolerance	Oil Free Type D Tolerance (Reference)	W 1mm Increment	H 5mm Increment	W Selectable	H Fixed								
(H7) HGBUB HGBUM	2	+0.01 0	-	3-5	15-20	-	-	13	7	H+3	10	6	M3	-	
	3	0	-	3-9	20-25	-	-	16	8	H+5		9			-
	4	+0.012 0	+0.062	4-12	20-25	8	9	20	19	11	12	12	M4	M4	
	5	0	-	5-15	25-30	9	10	12	25	16		H+6			12
	6	+0.015 0	+0.065	6-18	25-30	10	12	15	32	20	H+8	16	M5	M5	
	8	0	-	8-24	30-40	15	16	-	38	26		14			19
	10	+0.018 0	+0.068	10-30	30-40	15	16	18	50	38	H+10	16	M6	M6	
	12	0	-	12-30	30-40	15	16	20				14			19
	13	+0.018 0	-	13-30	35-45	-	-	-	65	47	H+12	15	M8	M6	
	14	0	-	14-30	35-45	-	-	36				15			22
15	+0.021 0	-	15-30	40-50	-	-	36	15				22			22
16	0	-	16-30	40-50	-	-	-	H+14	H+17	18	25	M8	M6		
20	+0.021 0	-	20-30	40-50	-	-	25				30			30	
25	0	-	25-35	40-50	-	-	-	65	47	H+14	18	25	M8	M6	
25	0	-	25-35	40-50	-	-	-	65	47	H+17	18	30	M8	M6	

⚠ For detailed dimensions of Hinge Pin, see P. 1-908. ⚠ For H7 type with tap, (A-W)/2 ≥ N+2 is required.



Ordering Example

Part Number	-	W	-	H
Example	HKUB6	-	W8	H28
	HGBUB8	-	W8	H30

D	Unit Price							
	W Fixed				W and H Configurable			
	HKUB	HKUM	HKUS	HKUSM	HGBUB	HGBUM	HGBUBT	HGBUSM
2								
3								
4								
5								
6								
8								
10								
12								
13								
14								
15								
16								
20								
25								