

Thick Hinge Bases

U-Shaped

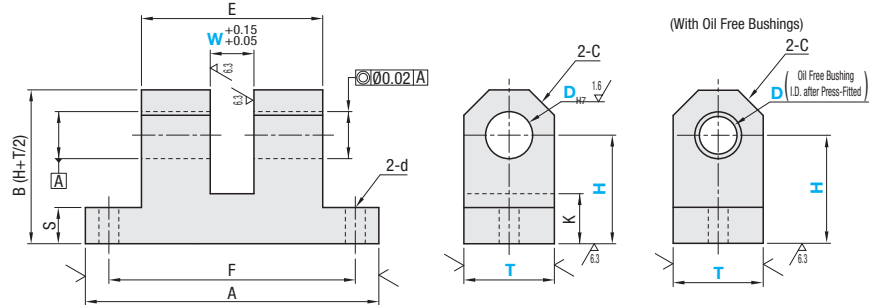
■ **Features:** U-Shaped High Strength and Wider than Standard.



RoHS10

Type				Material	Surface Treatment
Standard	A Compact	With Oil Free Bushings	W Selectable		
W Fixed	W and H Configurable	W and H Configurable	W Selectable	S45CEquivalent	Black Oxide
HKNJB	HGNJB	HGNAJB	HKNJMB		Electroless Nickel Plating
HKNJM	HGNJM	HGNAJS	-		SUS304

25 / (√6.3 / √1.6)



For the comparison of Standard Type and A Compact Type, refer to the table below.

Part Number	T Selection	W			H 1mm Increment	Standard With Oil Free Bushings			A Compact			K	S	d	C	
		Standard	1mm Increment	A Compact		1mm Increment	A	F	E	A	F					E
Standard W Fixed HKNJB HKNJM	4	12	4~12	4~8	6 8 9	17~25	38	29	20	32	25	16	10			3
	5	16	5~15	4~12	6 8 9 10	19~30	50	41	25	38	30	22	12 (10)	5	4.5	4
		21~30				5										
	6	16	6~18	5~12	6 8 9 10 12	19~30	65	52	38	50	40	30	14	10	5.5	4
		21~30				5										
	8	19	8~24	6~18	8 9 10 12 15 20	25~35	75	62	50	65	55	42	15	15	6.5	5
		22				6										
	10	19	10~30	8~25	15 20 24 30	25~35	75	62	50	65	55	42	14	10	5.5	5
		22				6										
	12	22	10~30	8~25	15 20 24 30	27~40	75	62	50	65	55	42	14	10	5.5	6
		25				6										
	13	22	10~30	8~25	15 20 24 30	27~40	75	62	50	65	55	42	14	10	5.5	6
25		6														
14	25	10~30	8~25	15 20 24 30	28~40	75	62	50	65	55	42	14	10	5.5	7	
	30				6											
15	25	10~30	8~25	15 20 24 30	27~40	75	62	50	65	55	42	14	10	5.5	7	
	30				6											
16	25	10~30	8~25	15 20 24 30	28~40	75	62	50	65	55	42	14	10	5.5	7	
	30				6											
20	30	20~35	15~25	15 20 24 30	32~45	100	82	65	75	60	45	18	9	11	8	
	38				8											
25	38	20~35	15~25	15 20 24 30	32~45	100	82	65	75	60	45	18	9	11	11	

* Dimensions () are for A Compact Type.

Price of HGNAJB is above price x0.95.

D	T	Unit Price						
		Standard		A Compact		With Oil Free Bushings		
		W Fixed	W and H Configurable	W and H Configurable	W Selectable	W Fixed	W and H Configurable	W Selectable
4	12							
5	16							
6	19							
8	22							
10	22							
12	25							
13	25							
14	30							
15	30							
16	30							
20	38							
25	38							

Ordering Example: Part Number - T - W - H
 HKNJB6 - T19 - W25 - H48
 HGNAJM20 - T38 - W25 - H48

Alterations: Part Number - T - W - H - (WDC)
 HKNJB6 - T19 - W25 - H48 - (WDC)

Alteration Code Spec.

Changes the number of d holes from 2 to 4. The holes are drilled at T1 position.

Ordering Code: WDC

T	T1
16	8
19	10
22	12
25	14
30	15
38	20

WDC

⊗ Not applicable to D4.
 ⊗ Not applicable to Oil Free Type.



for U-Shaped Type (2 pcs.)

D	W	d (I.D.)	L (Drill Length)
4	6, 8	4	5
		9	4
5	8-10	5	8
		6	5
6	12-10	6	10
		6	8
8	8-12	8	12
		15	8
10	20, 24	10	12
		15	10
12	20, 24	12	12
		12	8