


# Hinge Bases

## Fixed

■ **Features:** Hinge Bases in stock whose T (thickness) and H (height) to DH7 are selectable from two dimensions.

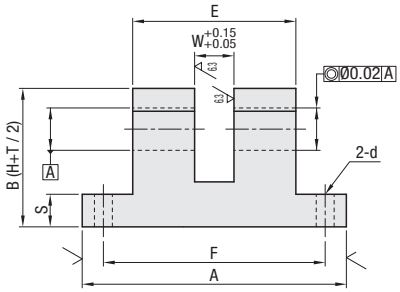
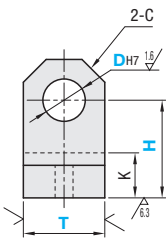
■ **U-Shaped**



RoHS10


Type	Material	Surface Treatment
<b>HKNKJB</b>	S45CEquivalent	Black Oxide

$\sqrt[25]{\left(\sqrt[63]{\frac{16}{\sqrt{\quad}}}\right)}$

Part Number Type	DH7	T Selection		H Selection		W	A	F	E	K	S	d	C	Unit Price
HKNKJB	5	12	20	25	6	38	30	22	12	5	4.5	3	4	
		16	20	25										
	6	12	20	25	8	50	40	30	14	10	5.5	4	5	
		16	25	30										
	8	16	25	30	10	65	55	42	14	10	5.5	4	5	
		19	30	35										
	10	16	25	30	12	65	55	42	14	10	5.5	4	5	
		19	30	35										
	12	19	30	35	12	65	55	42	14	10	5.5	4	5	
		22	30	35										

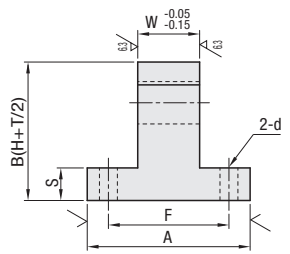
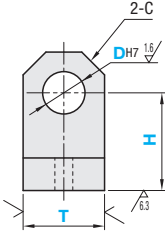
■ **T-Shaped**



RoHS10

Type	Material	Surface Treatment
<b>HKNKB</b>	S45CEquivalent	Black Oxide

$\sqrt[25]{\left(\sqrt[63]{\frac{16}{\sqrt{\quad}}}\right)}$

Part Number Type	DH7	T Selection		H Selection		W	A	F	S	d	C	Unit Price
HKNKB	5	12	20	25	6	25	18	5	4.5	3	4	
		16	20	25								
	6	12	20	25	8	32	25	10	5.5	4	5	
		16	25	30								
	8	16	25	30	10	32	25	10	5.5	4	5	
		19	30	35								
	10	16	25	30	12	32	25	10	5.5	4	5	
		19	30	35								
	12	19	30	35	12	32	25	10	5.5	4	5	
		22	30	35								

Ordering Example: **Part Number** - **T** - **H**  
**HKNKB8** - **T16** - **H25**

**ex** Example

