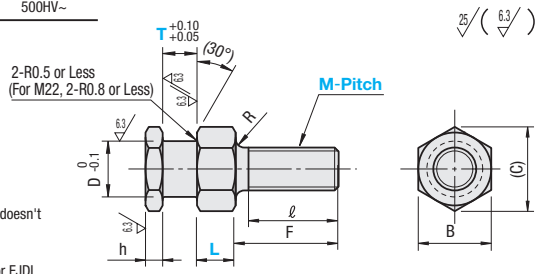


Floating Joints - Quick Connection Type

[Threaded] Cylinder Connector - Configurable Type / Circular Type



Type	Material	Surface Treatment	Hardness
FJDJL	S45C Equivalent	Salt-bath Nitriding	500HV~



- ⚠ Salt-bath Nitriding may cause uneven color, which doesn't affect mechanical function.
- ⚠ For details of Salt-bath Nitriding, see P.1907.
- ⚠ No Salt-bath Nitriding Treatment on F Dimension for FJDJL.

Part Number Type	M-Pitch	T Selection										L 1mm Increment	h	D	F	l	B	(C)	R	Unit Price				
		3	4	5	6	8	9	10	12	15	20													
FJDJL	3-0.5	3	4										3-15	3	4	8	6	6	6.9	1				
	4-0.7	3	4	5	6	8							3-20		6	13	11	8	9.2					
	5-0.8	3	4	5	6	8	9	10					3-25		7	19	17	10	11.5					
	6-1.0		4	5	6	8								4-30	10	20	18	14	16.2	1.5				
	8-1.25			5	6	8				12				4-40	13	24	21	17	19.6					
	10-1.5				6	8	9	10	12					4-50	21	40	37	26	30	2				
	16-2.0									12	20			8-80	5	25	50	46	30			34.6		
	20-2.5										15	20			10-100	6	27	60	56	32		36.9	2.5	
	22-2.5										12	15	20			10-100								

⚠ For compatible holders, see HLRBF (P1533).

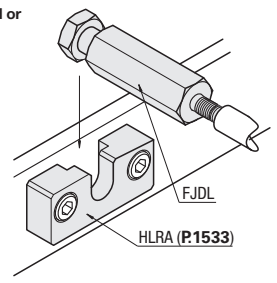
Ordering Example

Part Number - T - L

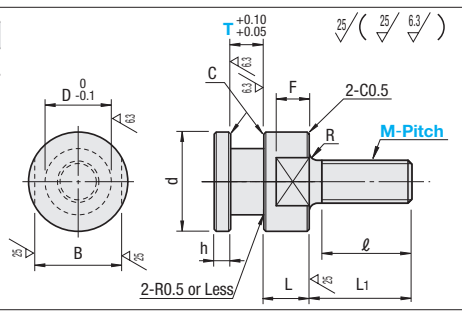
FJDJL10-1.5 - 8 - 20



Example It is possible to extend or adjust the join length.



Type	Material	Surface Treatment	Hardness
FJCLM	S45C Equivalent	Salt-bath Nitriding	500HV~



- ⚠ Salt-bath Nitriding may cause uneven color, which doesn't affect mechanical function.
- ⚠ For details of Salt-bath Nitriding, P.1907.

Part Number Type	M-Pitch	T Selection										h	D	d	L	F	L1	l	B	R	C	Unit Price	Applicable Holder				
		3	4	5	6	8	9	10	11	12	13												14	15	T Dimensions for FJCLM	HLRBF P1535	
FJCLM	4-0.7	3	4																						4	HLRB4 HLRB6 HLRB7 HLRB10 HLRB13 HLRB21 HLRB25	
	5-0.8		4	5	6																						
	6-1.0			4	6																						
	8-1.25				6	8																					
	10-1.5					8																					
	16-2.0						12																				
	20-2.5							15																			

Ordering Example

Part Number - T

FJCLM4-0.7 - 4