
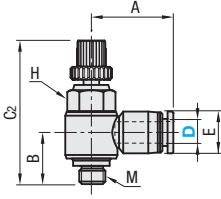


# Speed Controller / Valve with Adjusting Dial

## Flow Rate Control Valves with One-Touch Coupling

**Miniature**

Meter Out  
**MNSPS**


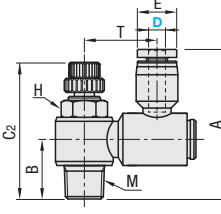



**M** Material: Polybutylene Terephthalate  
Thread: Brass (Nickel Plating)

Part Number	Type	D	Nominal	A	B	C <sub>2</sub>	E	Wrench Flats H	Thread Size M	Mass (g)	Max. tightening torque (kg-cm)	Unit Price	Volume Discount Rate
MNSPS	4	M3	15.7	9.9	30.5	8.0	8	M3x0.5	8	3			
			15.7	9.9	30.5	8.0	8	M5x0.8	8	12			
			16.7	9.9	30.5	10.4	8	M5x0.8	10.4	12			

**Straight**

Meter Out  
**SPSNS**


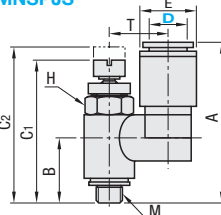
**M** Material: Polybutylene Terephthalate  
Thread: Brass (Nickel Plating)

Part Number	Type	D	Nominal	A	B	C <sub>2</sub>	E	Wrench Flats H	T	Thread Size M	Mass (g)	Control Type	Unit Price	Volume Discount Rate
SPSNS	4	1	41.4	14.85	34.1	9.8	10	18.1	R1/8	34.1		Meter-Out		
			35.2	11.4	29.12	11.9	8	15.9	M5x0.8	29.2				
	6	1	38.65	14.85	34.05	11.9	10	18.1	R1/8	34.1				
			42.2	18.4	42.4	11.9	14	20.1	R1/4	42.4				
	8	1	40.15	14.85	33.87	13.9	10	18.1	R1/8	33.9				
			49.2	18.4	42.32	13.9	14	20.18	R1/4	42.4				
	10	2	3	45.9	20.6	47.6	13.9	19	22.5	R3/8	47.7			
				46.4	18.4	42.32	16.9	14	20.1	R1/4	42.4			
				48.6	20.6	47.6	16.9	19	22.5	R3/8	47.7			

ⓘ For SPSNS, the tube connection port will not move.

**Miniature Straight**

Meter Out  
**MNSPJS**


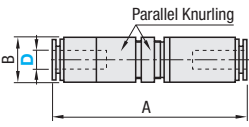



**M** Material: Polybutylene Terephthalate  
Thread: Brass (Nickel Plating)

Part Number	Type	D	Nominal	Color	A	B	C <sub>1</sub>	C <sub>2</sub>	E	Wrench Flats H	T	Thread Size M	Mass (g)	Control Type	Unit Price	Volume Discount Rate
MNSPJS	4	M5	W	White	28	12.4	27.2	30.2	7.8	8	11.2	M5x0.8	13.2	Meter-Out		
				Black	28.3	11.4	25.1	27.6	7.9	7	9.3	M3x0.5	7.7			
				White	29	12.4	27.2	30.2	8.8	8	11.2	M5x0.8	14			
				White	30.6	12.4	27.2	30.2	10.8	8	11.2	M5x0.8	15			

**In-line**

**SPJNSC**


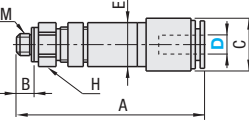



**M** Material: Polybutylene Terephthalate  
Thread: Brass (Nickel Plating)

Part Number	Type	Color	A		B	Mass (g)	Unit Price	Volume Discount Rate
			Min	Max				
SPJNSC	4	B (Black)	48.8	52.3	10	13.9		
			52	57	12	18.8		
			63	68	15	31		

**Miniature In-Line**

**SPJNSK**

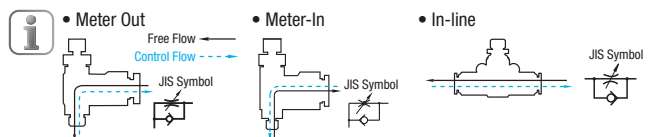



**M** Material: Polybutylene Terephthalate  
Thread: Brass (Nickel Plating)

Part Number	Type	Color	A		B	C	E	Wrench Flats H	Thread Size M	Mass (g)	Unit Price	Volume Discount Rate
			Min	Max								
SPJNSK	4	B (Black)	39.8	43.3	4	10	10	9	M5x0.8	12.5		
			42.8	46.3	4	12	10	9	M5x0.8	13.4		

**Ordering Example**

Part Number - Nominal - Color  
**SPSNS6 - M5 - W**  
**MNSPJS6 - M5 - W**



**Specifications**

Applicable Fluid	Air
Operating Temp. Range	0 ~ 60°C
Operating Pressure Range	0.05~0.7MPa