


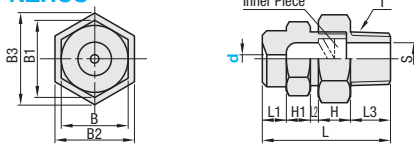
Spray Nozzles

Spray Shape: Full-Circular Shape

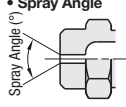


RoHS 10

NZRCs



• **Spray Angle**



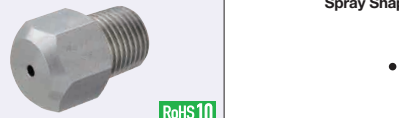
M Material: SUS304

Part Number	d (Hole Dia.)	T	S	L	L1	L2	L3	H	H1	B	B1	B2	B3	Weight (g)	Unit Price	Volume Discount Rate	
Type	No.													1-4 pcs(s)	5-20		
NZRCs	1	1.6	R1/8	05	23.5	3	1	8	6.5	5	12	13.8	12	13.8	14.0		
		2.0															
	2.4																
	2.6																
	3.2																
2	R1/4	08	32	5.5	2	10	8	6.5	14	16	17	19.5	29.0				

NZRCs Specifications

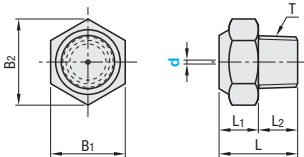
Size	Hole Dia. (mm)	0.5	0.7	1.0	1.2	1.6	2.0	2.5	3.0	3.6	
1/8	Water Pressure (MPa)	0.05	0.10	0.20	0.30	0.50	0.05	0.10	0.20	0.30	0.50
	Water Qty. (L/min)	1.08	1.51	2.09	2.55	3.26	1.29	1.79	2.48	3.05	3.91
	Spray Angle (°)	50	55	60	60	60	50	55	60	65	65
1/4	Water Pressure (MPa)	0.05	0.10	0.20	0.30	0.50	0.05	0.10	0.20	0.30	0.50
	Water Qty. (L/min)	1.63	2.19	3.02	3.66	4.70	2.26	3.13	4.48	5.47	7.05
	Spray Angle (°)	40	45	50	50	50	45	55	60	60	60
1/4	Water Pressure (MPa)	0.05	0.10	0.20	0.30	0.50	0.05	0.10	0.20	0.30	0.50
	Water Qty. (L/min)	2.72	3.72	5.24	6.41	8.35	3.76	5.11	7.22	8.73	11.23
	Spray Angle (°)	55	55	60	65	65	55	60	65	65	65

Spray Shape: Rod Shape

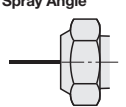


RoHS 10

NZRS



• **Spray Angle**



M Material: SUS304

Part Number	d (Hole Dia.)	T	L	L1	L2	B1	B2	Weight (g)	Unit Price	Volume Discount Rate		
Type	No.							1-4 pcs(s)	5-20			
NZRS	1	0.5	R1/8	18	10	8	12	13.8	12			
		0.7										
		1.0										
		1.2										
	2	R1/4	20	10	10	14	16	17				
												1.6
												2.0
3	R1/4	20	10	10	14	16	17					
											3.0	

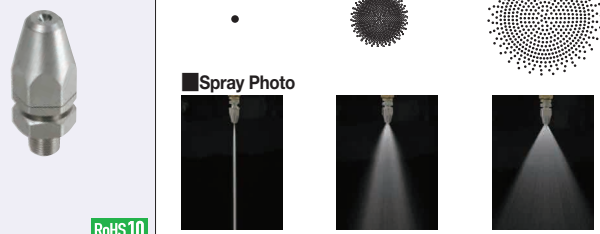
- **Features:** The impact changes as water flow jets rod-like due to water pressure.
- **Applications:** Pinpoint Washing, Air Blow, etc.
- **Note:** Hole with small diameter may clog.

NZRS Specifications

Size	Hole Dia. (mm)	0.5	0.7	1.0	1.2	1.6															
1/8	Water Pressure (MPa)	0.2	0.3	0.5	0.7	0.2	0.3	0.5	0.7	0.2	0.3	0.5	0.7								
	Water Qty. (L/min)	0.14	0.18	0.22	0.26	0.31	0.37	0.47	0.55	0.91	1.12	1.46	1.70	1.29	1.56	1.79	2.09	2.26	2.41	3.06	3.59
1/4	Water Pressure (MPa)	0.2	0.3	0.5	0.7	0.2	0.3	0.5	0.7	0.2	0.3	0.5	0.7	0.2	0.3	0.5	0.7	0.2	0.3	0.5	0.7
	Water Qty. (L/min)	2.31	2.82	3.30	3.88	3.57	4.34	4.92	5.78	5.62	6.83	7.93	9.30	8.19	9.98	12.85	14.19	11.88	14.50	16.84	19.94

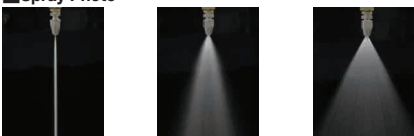
Spray Angle Adjustable

Rod Shape: Angle 0° Full-circular Shape: Angle 30° Full-circular Shape: Angle 60°

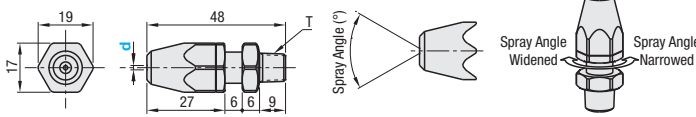


RoHS 10

■ **Spray Photo**



NZRAJ



Adjustable Angle 0 ~ 60° (See the spray photo.) **M** Material: SUS304

Part Number	d (Hole Dia.)	T	Weight (g)	Unit Price	Volume Discount Rate
Type	No.			1 ~ 4 pc(s)	5 ~ 20
NZRAJ	1	R1/8	50		

- **Features:** Nozzle with spray angle adjustable within range of 0 ~ 60°. This product allows for angle adjustment on site, and thus, facilitates action taken to response to workpiece change. It is possible to adjust the spray angle without using tools.



Ordering Example

Part Number	d
NZRCs1	1.6
NZRS2	1.6
NZRAJ1	1.5

Hole Dia. (mm)	1.5														
Water Pressure (MPa)	0.05	0.1	0.2	0.3	0.5										
Angle (°)	0	30	60	0	30	60	0	30	60	0	30	60			
Water Qty. (L/min)	0.94	0.90	0.83	1.27	1.25	1.15	1.73	1.70	1.57	2.08	2.05	1.87	2.68	2.62	2.37
Hole Dia. (mm)	2.0														
Water Pressure (MPa)	0.05	0.1	0.2	0.3	0.5										
Angle (°)	0	30	60	0	30	60	0	30	60	0	30	60			
Water Qty. (L/min)	1.71	1.65	1.27	2.3	2.23	1.7	3.15	3.08	2.35	3.82	3.69	2.85	4.91	4.74	3.63



Example

Low Pressure Screwed Fittings

SUTPE (P.1273)

Steel Pipe

SUTP (P.1265)

