


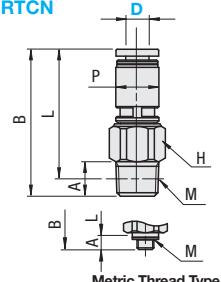
# Rotary Joints / High Rotary Joints

**Rotary Joints Connectors**



**RoHS10**


**RTCN**



Metric Thread Type

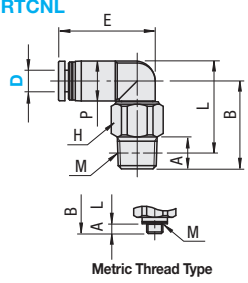
Part Number Type	Nominal D	Thread Size M	A	B	L	P	Width Across H	Allowable Revolutions (min <sup>-1</sup> )	Rotary torque (N·cm)	Effective Sectional Area (mm <sup>2</sup> )	Mass (g)	Unit Price (1-9 pc(s))	Volume Discount Rate (10-20)	
RTCN	4	M5	3	32.6	29.6	10	12	500	0.6	1.9	13			
		1	R1/8	8	34.1	30.1				3.6	14			
	6	M5	3	36.2	33.2					-	19			
		1	R1/8	8	36.9	32.9	12.5	14	500	1.2	9	18		
	8	2	R1/4	11	38.9	32.8						23		
		1	R1/8	8	45.3	41.3						34		
10	2	R1/4	11	44.3	38.3	14.5	17	400	1.5	20	32			
	3	R3/8	12	38							39			
	1	R1/4	11	58.8	52.8	17.8	22	300	2.0	35	74			
3	R3/8	12	56.8	50.5							70			

**Rotary Joints Elbows**



**RoHS10**

**RTCNL**



Metric Thread Type

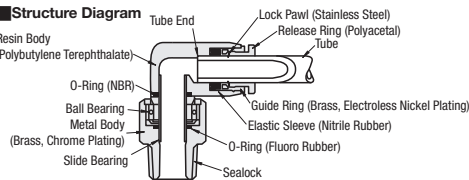
Part Number Type	Nominal D	Thread Size M	A	B	L	P	E	Width Across H	Allowable Revolutions (min <sup>-1</sup> )	Rotary torque (N·cm)	Effective Sectional Area (mm <sup>2</sup> )	Mass (g)	Unit Price (1-9 pc(s))	Volume Discount Rate (10-20)	
RTCNL	4	M5	3	20.5	22.5	10	19.7	12	500	0.6	1.5	13			
		1	R1/8	8	22	23						2.9	15		
	6	M5	3	23.3	26.5							-	20		
		1	R1/8	8	24	26.2	12.5	22.8	14	500	1.2	7.5	19		
	8	2	R1/4	11	26								24		
		1	R1/8	8	31.5	34.7							35		
10	2	R1/4	11	30.5	31.7	14.5	25.7	17	400	1.5	16.5	33			
	3	R3/8	12	30.5	31.4							41			
	1	R1/4	11	38.3	41	17.5	29.5	22	300	2.0	21	67			
3	R3/8	12	36.3	38.7							30	63			

Turning torque is the torque necessary for the joint to turn when it is free of compressed air pressure.

**Features**

- Use as handy couplings for connecting tubes to swivel and rotary parts of general pneumatic equipment.
- With ball bearings used at the rotary part, rotary joints offer suitable use for tube connecting to swivel and rotary equipment parts.


**Structure Diagram**



**Specifications**

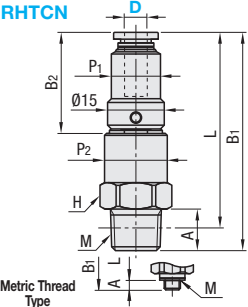
Applicable Fluid	Air
Operating Temperature Range*	0-60°C
Max. Operating Pressure	1MPa
Operating Vacuum Level	-100kPa
* No Freezing	

**High Rotary Joints Straight**



**RoHS10**


**RHTCN**



Metric Thread Type

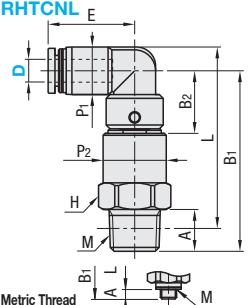
Part Number Type	Nominal D	Thread Size M	A	B1	B2	L	P1	P2	Width Across H	Allowable Revolutions (min <sup>-1</sup> )	Rotary torque (N·cm)	Effective Sectional Area (mm <sup>2</sup> )	Mass (g)	Unit Price (1-9 pc(s))	Volume Discount Rate (10-20)	
RHTCN	4	M5	3	43.2	22.7	40.2	11	11.6	12	1500	1.5	2.2	24			
		1	R1/8	8	47.7		43.7						3.4	28		
	6	1	R1/8	8	54.8	26.8	50.8	13	16.6	17	1200	1.5	12	51		
		2	R1/4	11	57.8		51.7						11.5	56		
	8	1	R1/8	8	58.1	30.1	54.1	15	16.6	17	1200	1.5	12	57		
		2	R1/4	11	61.1		55.1						12.5	63		

**High Rotary Joints Elbows**



**RoHS10**


**RHTCNL**



Metric Thread Type

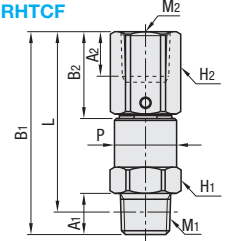
Part Number Type	Nominal D	Thread Size M	A	B1	B2	E	L	P1	P2	Width Across H	Allowable Revolutions (min <sup>-1</sup> )	Rotary torque (N·cm)	Effective Sectional Area (mm <sup>2</sup> )	Mass (g)	Unit Price (1-9 pc(s))	Volume Discount Rate (10-20)	
RHTCNL	4	M5	3	33.7	13.2	19.7	35.7	10	11.6	12	1500	1.5	2.2	21			
		1	R1/8	8	38.2		19.7	39.2						4.1	26		
	6	1	R1/8	8	44.5	16.5	22.8	46.7	12.5	16.6	17	1200	1.5	10	47		
		2	R1/4	11	47.5		22.8	47.7						10.5	53		
	8	1	R1/8	8	45.5	17.5	25.7	48.7	14.5	16.6	17	1200	1.5	11.5	50		
		2	R1/4	11	48.5		25.7	49.7						13	56		

**High Rotary Joints Bushing**



**RoHS10**

**RHTCF**



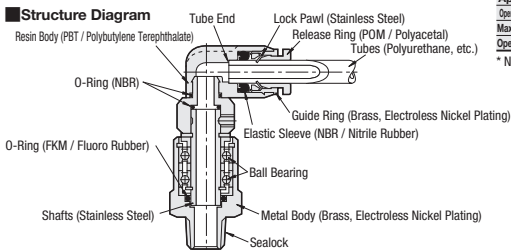
Metric Thread Type

Part Number Type	No.	M1	M2	A1	A2	B1	B2	L	P	Width Across H	Width Across E	Allowable Revolutions (min <sup>-1</sup> )	Rotary torque (N·cm)	Effective Sectional Area (mm <sup>2</sup> )	Mass (g)	Unit Price (1-9 pc(s))	Volume Discount Rate (10-20)
RHTCF	11	R1/8	Rc1/8	8	9.5	47.2	19.2	43.2	16.6	17	14	1200	1.5	13.9	50		
	22	R1/4	Rc1/4	11	13.5	54.2	23.2	48.2	16.6	17	17	1200	1.5	11.2	68		
	33	R3/8	Rc3/8	12	14.5	62.1	26.6	55.8	23.6	24	22	900	2.5	47.2	133		

**Features**

- Use as handy couplings for connecting tubes to swivel and fast rotary parts of general pneumatic equipment.
- With two ball bearings used at the rotary part, rotary joints offer suitable use for tube connecting to fast-moving swivel and rotary equipment parts.

**Structure Diagram**



**Specifications**

Applicable Fluid	Air
Operating Temperature Range*	0-60°C
Max. Operating Pressure	1MPa
Operating Vacuum Level	-100kPa
* No Freezing	



Ordering Example  
**Part Number** - **Nominal**  
 RTCN4 - M5  
 RHTCN6 - 2