
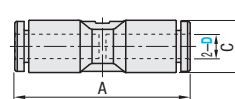

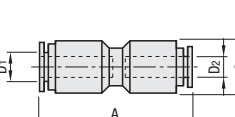

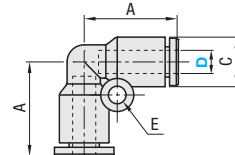

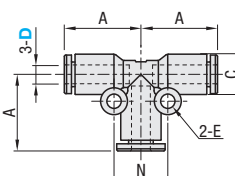

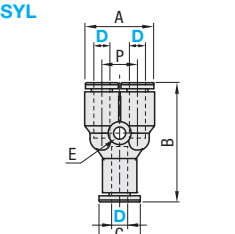

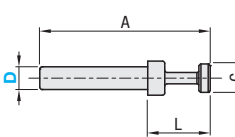


<p>Union Straight</p> 	<p>USSTL</p>  <p>Material: PBT (Polybutylene Terephthalate)</p>
<p>Stepped Diameter Union Straight</p> 	<p>UJDST</p>  <p>Material: PBT (Polybutylene Terephthalate)</p>
<p>Union Elbows</p> 	<p>USEBL</p>  <p>Material: PBT (Polybutylene Terephthalate)</p>
<p>Union Tees</p> 	<p>USTEL</p>  <p>Material: PBT (Polybutylene Terephthalate)</p>
<p>Y Type</p> 	<p>USYL</p>  <p>Material: PBT (Polybutylene Terephthalate)</p>
<p>Blind Plugs</p> 	<p>BSLG</p>  <p>Material: PBT (Polybutylene Terephthalate)</p>

RoHS10

Material: PBT (Polybutylene Terephthalate)

Part Number		A	C	Effective Sectional Area (mm ²)	Mass (g)	Unit Price	Volume Discount Rate
Type	D					1 ~ 9 pc(s)	10 ~ 50
USSTL	4	30.2	9	3.2	3.1		
	6	32	11.2	11.0	4.8		
	8	40.2	13.6	25.2	8.8		
	10	40	16.3	38.7	10.6		
	12	54.8	19.7	44.6	20.9		
16	52	25.6	85.0	32.8			

Part Number		Body Color	D ₁	D ₂	A	C	Effective Sectional Area (mm ²)	Mass (g)	Unit Price	Volume Discount Rate
Type	No.								1 ~ 9 pc(s)	10 ~ 50
UJDST	4	B (Black)	4	6	36.5	12.5	3.5	6		
	4-8		4	8	39.5	14.5	4	8		
	6		6	8	39.5	14.5	10	8		
	6-10	W (White)	6	10	45	17.5	10	12		
	8		8	10	45	17.5	22	12		
	10		10	12	47.5	20	30	17		

Part Number		A	C	E	Effective Sectional Area (mm ²)	Mass (g)	Unit Price	Volume Discount Rate
Type	D						1 ~ 9 pc(s)	10 ~ 50
USEBL	4	17.1	9	3.2	3.2	3.2		
	6	19.0	11.2	3.2	9.3	4.9		
	8	23.6	13.6	3.2	20.3	9.4		
	10	25	16.3	4.2	27.0	11.8		
	12	32.2	19.7	4.2	40.6	22.5		
	16	34	25.6	4.2	78.7	36.5		

Part Number		A	C	E	N	Effective Sectional Area (mm ²)	Mass (g)	Unit Price	Volume Discount Rate
Type	D							1 ~ 9 pc(s)	10 ~ 50
USTEL	4	17.1	9	3.2	12	3.2	5		
	6	19	11.2		13	10.9	7.3		
	8	23.6	13.6		18	24.8	14.1		
	10	25	16.3	24	39.5	17.7			
	12	32.2	19.7	4.2	28	44.2	33.5		
	16	34	25.6		30	83.5	53.8		

Part Number		A	B	C	E	P	Effective Sectional Area (mm ²)	Mass (g)	Unit Price	Volume Discount Rate
Type	D								1 ~ 9 pc(s)	10 ~ 50
USYL	4	18.3	31.2	9	2.2	9.3	2.5	4.9		
	6	22.6	34.7	11.2	3.2	11.4	9.9	7.3		
	8	27.8	44.2	13.6		14.2	22.8	13.9		
	10	33.3	46	16.3	4.2	17	36.6	17.7		
	12	39.7	56.8	19.7		20	43.2	32.5		

Part Number		A	L	C	Mass (g)	Unit Price	Volume Discount Rate
Type	D					1 ~ 9 pc(s)	10 ~ 50
BSLG	4	30	11	6	0.5		
	6	34	14	8	1		
	8	38	16	10	2		
	10	41	16	12	3		
	12	43	16	14	4		

Ordering Example Part Number - Body Color
UJDST6 - W
USYL10



Specifications	
Applicable Fluid	Air
Operating Temperature Range*	0 ~ 60°C
Max. Operating Pressure	0.9MPa
Operating Vacuum Level	-100KPa

* No Freezing