
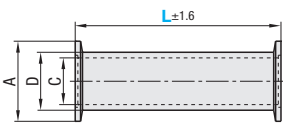

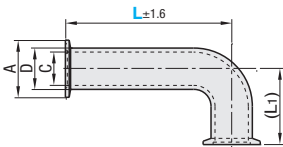

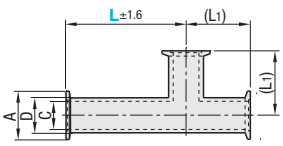

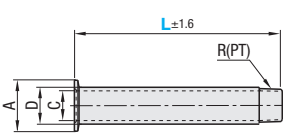

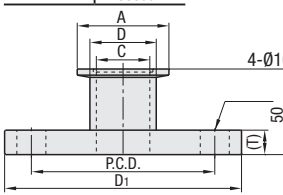

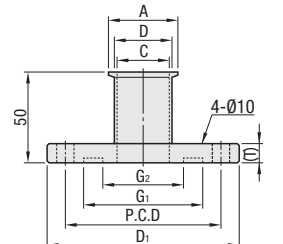


Both Sides Weld-On Vacuum Pipes

Both Sides NW Flanged  RoHS10	<table border="1"> <tr> <th>Type</th> <th>Material</th> </tr> <tr> <td>FRNRF</td> <td>SUS304</td> </tr> </table>	Type	Material	FRNRF	SUS304	
	Type	Material				
FRNRF	SUS304					
NW Flanged x Elbow  RoHS10	<table border="1"> <tr> <th>Type</th> <th>Material</th> </tr> <tr> <td>FRNRE</td> <td>SUS304</td> </tr> </table>	Type	Material	FRNRE	SUS304	
Type	Material					
FRNRE	SUS304					
NW Flanged x Tees  RoHS10	<table border="1"> <tr> <th>Type</th> <th>Material</th> </tr> <tr> <td>FRNRT</td> <td>SUS304</td> </tr> </table>	Type	Material	FRNRT	SUS304	
Type	Material					
FRNRT	SUS304					
NW Flanged x Threaded  RoHS10	<table border="1"> <tr> <th>Type</th> <th>Material</th> </tr> <tr> <td>FRNRFA</td> <td>SUS304</td> </tr> </table>	Type	Material	FRNRFA	SUS304	
Type	Material					
FRNRFA	SUS304					
NW Flanged x VF Flanged  RoHS10	<table border="1"> <tr> <th>Type</th> <th>Material</th> </tr> <tr> <td>FRNRFR</td> <td>SUS304</td> </tr> </table>	Type	Material	FRNRFR	SUS304	
Type	Material					
FRNRFR	SUS304					
NW Flanged x VG Flanged  RoHS10	<table border="1"> <tr> <th>Type</th> <th>Material</th> </tr> <tr> <td>FRNRVG</td> <td>SUS304</td> </tr> </table>	Type	Material	FRNRVG	SUS304	
Type	Material					
FRNRVG	SUS304					

Part Number		L 10mm Increment	A	C	D	Unit Price 1 ~ 4 pc(s).	
Type	No.					Unit Price	L Pipe Price /100mm
FRNRF	10	110~1000	30	10	13.8		
	16		30	17.5	21.7		
	25		40	23	27.2		
	40		55	37.1	42.7		

For the type with L dimension of 100mm, select FRNWN in P.1375.
 <Price Calculation Example>: Price = Unit Price + L Pipe Price
 For L pipe price, a charge is added for every 100mm of L dimension. 110 ~ 200: Round up to 200.

Part Number		L 10mm Increment	A	C	D	(L1)	Unit Price 1 ~ 4 pc(s).	
Type	No.						Unit Price	L Pipe Price /100mm
FRNRE	16	100~1000	30	17.5	21.7	58.1		
	25		40	23	27.2	58.1		
	40		55	37.1	42.7	67.6		

<Price Calculation Example>: Price = Unit Price + L Pipe Price
 For L pipe price, a charge is added for every 100mm of L dimension. 110 ~ 200: Round up to 200.

Part Number		L 10mm Increment	A	C	D	(L1)	Unit Price 1 ~ 4 pc(s).	
Type	No.						Unit Price	L Pipe Price /100mm
FRNRT	16	100~1000	30	17.5	21.7	45.4		
	25		40	23	27.2	48.6		
	40		55	37.1	42.7	67.6		

<Price Calculation Example>: Price = Unit Price + L Pipe Price
 For L pipe price, a charge is added for every 100mm of L dimension. 110 ~ 200: Round up to 200.

Part Number		L 10mm Increment	A	C	D	R(PT)	Unit Price 1 ~ 4 pc(s).	
Type	No.						Unit Price	L Pipe Price /100mm
FRNRFA	16	100~1000	30	7.1	10.5	1/8		
	25		40	9.4	13.8	1/4		
	40		55	12.7	17.3	3/8		

<Price Calculation Example>: Price = Unit Price + L Pipe Price
 For L pipe price, a charge is added for every 100mm of L dimension. 110 ~ 200: Round up to 200.

Part Number		A	C	D	D1	(T)	P.C.D.	Unit Price	
Type	No.							1 ~ 4 pc(s).	
FRNRFR	10	30	10	13.8	70	8	50		
	16	30	17.5	21.7	70	8	50		
	25	40	23	27.2	80	8	60		
	40	55	37.1	42.7	105	10	85		

Part Number		A	C	D	D1	G1	G2	(T)	P.C.D.	Applicable O-Ring Size	Unit Price	
Type	No.										1 ~ 4 pc(s).	
FRNRVG	10	30	10	13.8	70	34	24	8	50	V24		
	16	30	17.5	21.7	70	34	24	8	50	V24		
	25	40	23	27.2	80	44	34	8	60	V34		
	40	55	37.1	42.7	105	65	55	10	85	V55		

Ordering Example
 Part Number - L
 FRNRF25 - 300

Common Specifications
 Max. Operation Temperature: 200°C
 Surface Finish: Shot Blasted