

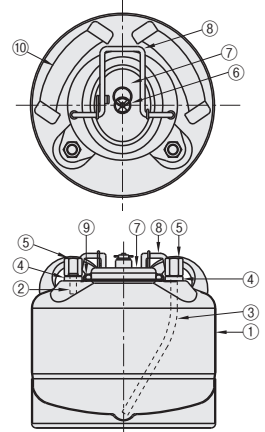
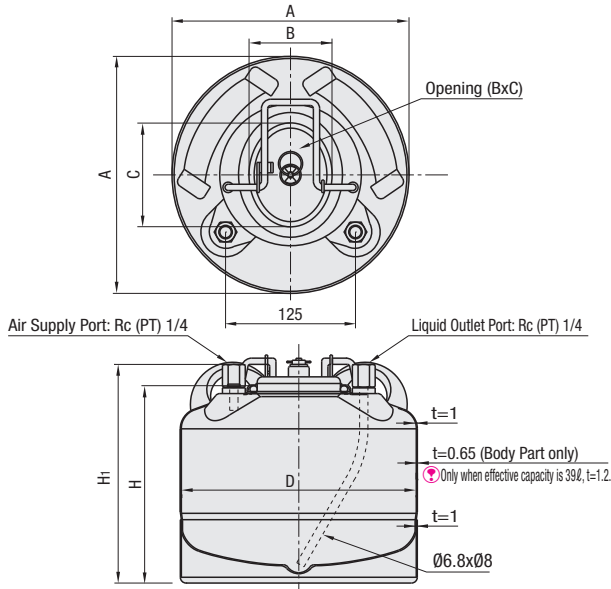
Pressure Tanks

Simplified Type



RoHS 10

Type	Material		Surface Finish	Normal Operating Pressure
	O-Ring	Others		
TNKD	Nitrile Rubber	Refer to Component List	Inner Surface-Deoxidized Outer Surface-Hairline	0.49MPa or lower
TNKDF	Fluororubber			



Component List

Part No.	Part Name	Material
①	Pressure Tank Body	SUS304
②	Pressure Air Pipe	SUS304
③	Suction Pipe	SUS304
④	O-Ring	Nitrile Rubber
⑤	Hex Reducing Socket	SUS304
⑥	Relief Valve	SUS304
⑦	Lid for Pressure Tank	SUS304
⑧	Handle for Locking Lid	SUS304
⑨	O-Ring	Nitrile Rubber / Fluororubber
⑩	Carrying Handle	SUS304

⊕ Feature of Nitrile Rubber / Fluororubber P391
 ⊖ Feature of O-Ring: P1362

Type	Part Number	At Full Capacity (ℓ)	I.D. D	Effective Capacity Depth H	H ₁	A	B	C	Weight (kg)	Unit Price
	Effective Capacity (ℓ)									Qty. 1 ~ 3
TNKD TNKDF	5	5.2	226.7	192	210	228	81	97	2	
	10	10.3		347	365				2.5	
	20	20.5		580	598				3.8	
	39	39.0		598	621				7.4	

Ordering Example **Part Number**
 TNKDS

Alterations **Part Number** - (LG, FS)
 TNKD20 - LG-FS

Alterations	Code	Spec.	Alterations	Code	Spec.
Installation of Level Gauge 	LG	Install level gauge to provide visual view of the liquid level. Install level gauge at a position of 65mm from upper surface and 70mm from the bottom outside of the tank. ⊕ TNKD5 and TNKDF5 are not applicable. ⊕ For details of materials and others, see P.1362.	Low Level Float Switch Installation 	FS	Install a switch to operate as alarm or signal of level of liquids such as water and oil. Switch will be turned on at a position of 41mm or lower from bottom of the tank. ⊕ For details of Low Level Float Switches, see P.1372.