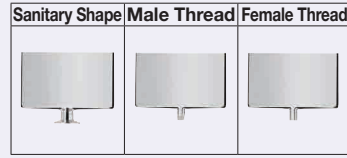
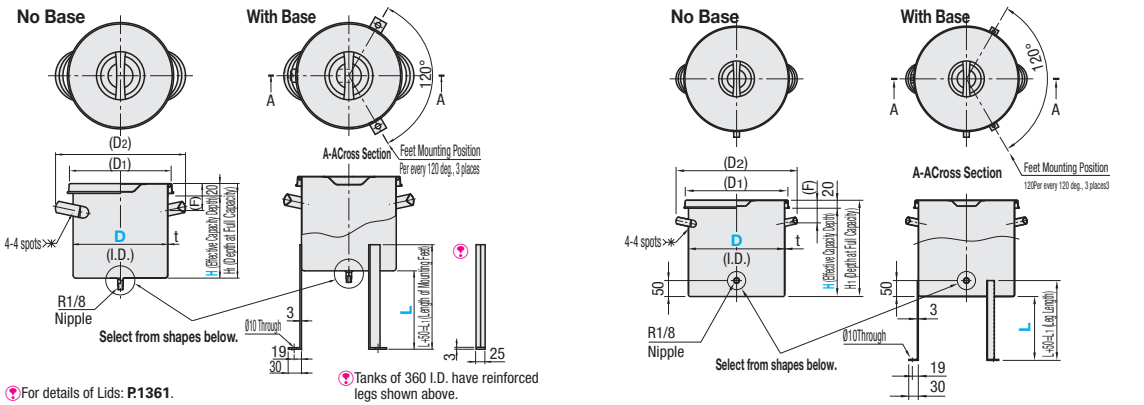


Standard Open-Top Tanks - Outlet Config. Selectable

Bottom Discharge / Side Discharge



Type	Type				Material			Surface Finish	Normal Operating Pressure
	Bottom Discharge		Side Discharge		Main Body	Carrying Handle	Lid		
	Depth Fixed	Depth Configurable	Depth Fixed	Depth Configurable					
No Base	TANS	TANSF	TANY	TANYF					
With Base	TANSA	TANSAF	TANYA	TANYAF			SUS304	Buffered (main body only) Inner & Outer Surface: #320 Except weld bead portion on liquid outlet (joint portion)	Atmospheric Pressure



Sanitary Outlet Shape		Male Thread Outlet Shape			Female Thread Outlet Shape	
A Shape: Straight (1S)	D Shape: R (PT) 1/8	E Shape: R (PT) 1/4	F Shape: R (PT) 3/8	G Shape: Rc (PT) 1/4	H Shape: Rc (PT) 3/8	

Part Number	Provided Effective Capacity Depth (H)				Tank Bottom Height (L) 10mm Increment	Outlet Config. Selectable		Effective Capacity Fixed (L)	t	H ₁	(D ₁)	(D ₂)	(F)	Weight (kg)				
	Type	I.D. (D)	Fixed	Specify in 10mm Increment For "Depth Configurable Type" only		Bottom Discharge	Side Discharge								Depth Fixed			
					100-300	A D E F G H	A D E F G H	4.1	4.6	H+20	207	249		0.9				
				6.6				7.3	236		282	55	1					
				9.9				10.9	267		315		1.2					
				14.3				15.5	296		350		1.8					
				19.8				21.2	330		380	70	2.2					
				34.6				36.6	390		469		3.6					

Effective Capacity (L) = Radius (D/2) x Radius (D/2) x 3.14 x Depth at Effective Capacity (H) / 1000000 (converted to capacity).

Full capacity level is a theoretical value that is obtained by calculation (base area x H depth). Use within the effective H depth (up to -20mm from upper surface).

I.D. (D)	Body Price 1 - 3 pc(s).				Shape Charge		
	Depth Fixed	Depth Configurable		Additional Depth (H) Unit Price /50mm*	A	D-F	G-H
		Unit Price	Depth at Effective Capacity (H) (H=100 - 140)				
180							
210							
240							
270							
300							
360							

Base Price 1 - 3 pc(s).		
Tank Bottom Height (L)	Leg Length (L ₁)	Base Price
100-200		
210-300	L+50	
360		

The price of With Base Type is Body Price + Shape Charge shown above plus Base Price indicated on the right.

For orders larger than indicated quantity, please check with WOS.

<Price Calculation Example>		Ex. 1	Ex. 2
Unit Price of Tank Body (H=100 - 140)		TANS300-A	TANSAF240-270-L220-F
Additional Depth (H) Unit Price	-		
Additional Depth Price Multiplier	-		
Shape Charge	-		
Base Price	-		
Total Price	-		

* Additional Depth Price Multiplier: Additional Depth (H)100 is the standard. When Additional Depth (H) is 100, Price Multiplier is 0. Round up to nearest number: Ex. 150 → 190 → 1, 200 → 240 → 2, 450 → 7

Ordering Example	Part Number	Effective Depth	Tank Bottom Height	Outlet Config. Selectable
	TANS210		L250	A
	TANS240		L200	E
	TANSAF180	300	L200	H

Alterations	Part Number	Effective Depth	Tank Bottom Height	Outlet Config. Selectable	(LG)
	TANS210		L200	A	LG
	TANSAF180	300	L200	H	LG

