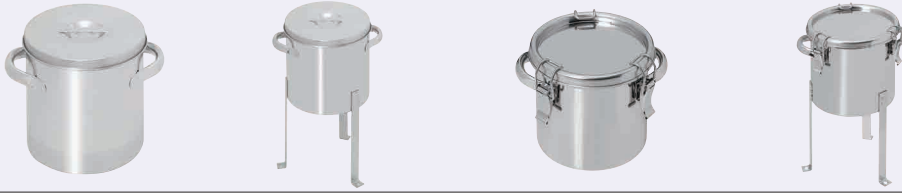


Open-Top Tanks

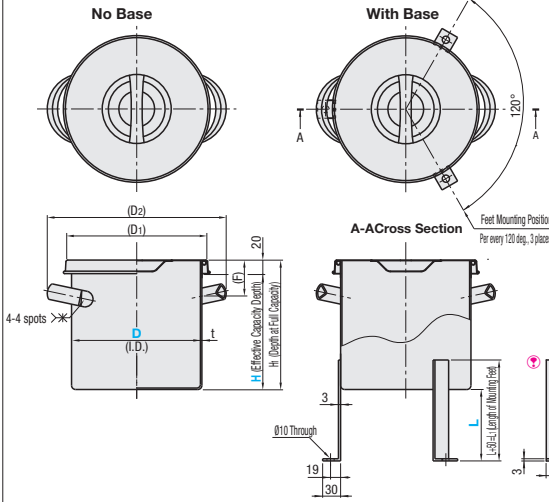
Standard / Sealable



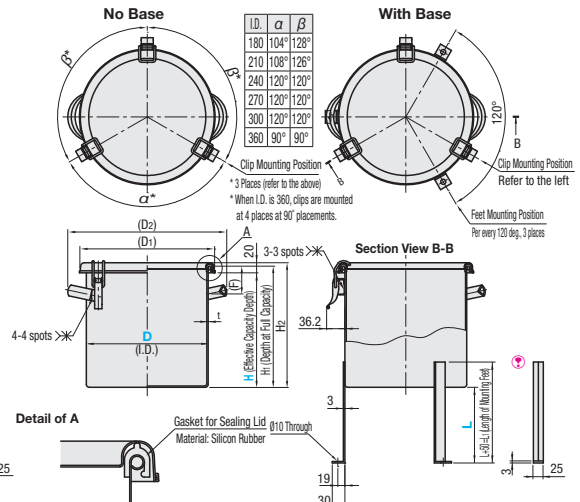
Type	Type				Material				Surface Finish	Normal Operating Pressure	
	Standard Type		Sealable		Main Body	Carrying Handle	Lid	Base			Clip
No Base	TANK	TANKF	TANKM	TANKMF					SUS304		
With Base	TANA	TANAF	TANAM	TANAMF							

Feature of Silicon Rubber P.391

Standard Type



Sealable



Tanks of 360 I.D. have reinforced legs shown above.

For details of Gaskets for Sealing Lids, see P.1361.

Tanks of 360 I.D. have reinforced legs shown above.

Part Number	Provided Effective Capacity Depth (H)		Tank Bottom Height (L) 10mm Increment	Effective Capacity Fixed (l)	At Full Capacity Water	t	H ₁	Standard Type		Sealable		Weight (kg)		
	Type	I.D. (D)						Fixed	Depth Configurable 10mm Increment	Effective Capacity	At Full Capacity Water		(D ₁)	H ₂
		180	160	100-300	4.1	4.6	0.7	207	H1+4	206	249	55	0.9	1.3
		210	190	100-300	6.6	7.3	0.7	236	H1+6	234	282		1	1.8
		240	220	100-350	9.9	10.9	0.7	267	H1+7	269	315		1.2	2
		270	250	100-350	14.3	15.5	0.8	296		297	350		1.8	2.7
		300	280	100-400	19.8	21.2	0.8	330	H1+6	330	380	70	2.2	3.2
		360	340	100-450	34.6	36.6	0.9	390		390	469		3.6	5

Effective Capacity (l) = Radius (D/2) x Radius (D/2) x 3.14 x Depth at Effective Capacity (H) / 1000000 (converted to capacity).

Full capacity level is a theoretical value that is obtained by calculation (base area x H₁ depth). Use within the effective H depth (up to -20mm from upper surface).

I.D. (D)	Body Price 1 - 3 pc(s).				
	Depth Fixed		Depth Configurable		Additional Depth Unit Price (H) /50mm*
	Standard Type	Sealable	Standard Type	Sealable	
	TANK	TANKM	TANKF	TANKMF	
	Depth at Effective Capacity Unit Price (H) (H=100 - 140)				
180					
210					
240					
270					
300					
360					

Base Price 1 - 3 pc(s).		
Tank Bottom Height (L)	Leg Length (L ₁)	Base Price
100-200	L+50	
210-300		
I.D. 360		
*Has reinforced legs. (For details, refer to CAD data.)		
<Price Calculation Example>		Ex. 1 TANKF240-270
Unit Price of Tank Body (H=100 - 140)		Ex. 2 TANAF180-130-L220
Additional Depth (H) Unit Price		
Additional Depth Price Multiplier*		
Base Price		
Total Price		

*Additional Depth Price Multiplier: Additional Depth (H)100 is the standard. When Additional Depth (H) is 100, Price Multiplier is 0. Round up to nearest number. Ex. 150 ~ 190 → 1, 200 ~ 240 → 2, 400 → 6

The price of With Base Type is Body Price plus Base Price.

Ordering Example

Part Number: TANK210, TANAF180, TANAF240

Effective Depth: 300

Tank Bottom Height: L200, L250

Alterations

Part Number: TANK210, TANAF240

Effective Depth: 300

Tank Bottom Height: L250

(LG) - LG, (LG) - LG

Alteration	Code	Spec.
	LG	Install level gauge to provide visual view of the liquid level. For details of features and dimensions, see overview page. Level Gauges with effective H depth of 220 or above are configurable.