
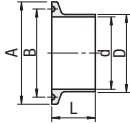
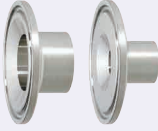
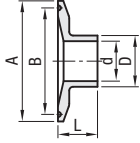

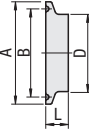

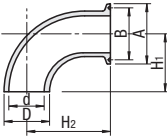

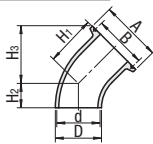

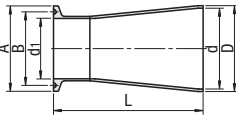

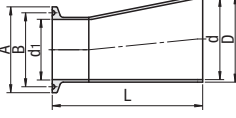


# Sanitary Pipe Fittings

## Ferrule x Weld-On

 <p>RoHS 10</p>	<b>Type</b> SNFR SNFRS	<b>Material</b> SUS304 SUS316L	
 <p>RoHS 10</p>	<b>Type</b> SNFRE	<b>Material</b> SUS304	
 <p>RoHS 10</p>	<b>Type</b> SNFK	<b>Material</b> SUS304	
 <p>RoHS 10</p>	<b>Type</b> SNFE SNFES	<b>Material</b> SUS304 SUS316L	
 <p>RoHS 10</p>	<b>Type</b> SNFHE SNFHES	<b>Material</b> SUS304 SUS316L	
 <p>RoHS 10</p>	<b>Type</b> SNFRD SNFRDS	<b>Material</b> SUS304 SUS316L	
 <p>RoHS 10</p>	<b>Type</b> SNFRY SNFRYS	<b>Material</b> SUS304 SUS316L	

Part Number		D	d	A	B	L	SNFR		SNFRS	
Type	No.						Unit Price	Volume Discount Rate	Unit Price	Volume Discount Rate
							Qty. 1 - 9	10-20	Qty. 1 - 9	10-20
SNFRS	8A	13.8	10.5	34.0	27.5	17.0	-	-		
	10A	17.3	14.0				-	-		
	15A	21.7	17.5				-	-		
SNFR SNFRS	1S	25.4	23.0	50.5	43.5	21.0				
	1.5S	38.1	35.7	50.5	43.5					
	2S	50.8	47.8	64.0	56.5					
	2.5S	63.5	59.5	77.5	70.5					
	3S	76.3	72.3	91.0	83.5					

For orders larger than indicated quantity, please check with WOS.

Part Number		Nominal	D	d	A	B	L	Unit Price	Volume Discount Rate
Type	No.							Qty. 1 - 9	10-20
SNFRE	1S	8A	13.8	10.5	50.5	43.5	21.0		
		10A	17.3	11.3					
		15A	21.7	15.7					
	1.5S	10A	17.3	11.3					
		15A	21.7	15.7					
		20A	27.2	21.2					
	2S	15A	21.7	15.7	64.0	56.5			
		20A	27.2	21.2					
		25A	34.0	28.4					
	2.5S	20A	27.2	21.2	77.5	70.5			
25A		34.0	28.4						
32A		42.7	37.1						
25A		34.0	28.4						
3S	32A	42.7	37.1	91.0	83.5				
	40A	48.6	43.0						

For orders larger than indicated quantity, please check with WOS.

Part Number		D	A	B	L	Unit Price	Volume Discount Rate			
Type	No.					Qty. 1 - 9	10-14			
SNFK	1S	38.1	50.5	43.5	11.0					
	1.5S									
	2S					50.8	64.0	56.5		
	2.5S					63.5	77.5	70.5		
3S	76.3	91.0	83.5							

SNFK1S and 1.5S are the same shape. For orders larger than indicated quantity, please check with WOS.

Part Number		D	d	A	B	H <sub>1</sub>	H <sub>2</sub>	SNFE		SNFES	
Type	No.							Unit Price	Volume Discount Rate	Unit Price	Volume Discount Rate
								Qty. 1 - 9	10-20	Qty. 1 - 9	10-20
SNFE SNFES	1S	25.4	23	50.5	43.5	34	55				
	1.5S	38.1	35.7	50.5	43.5	49	70				
	2S	50.8	47.8	64.0	56.5	61	82				
	2.5S	63.5	59.5	77.5	70.5	84	105				
	3S	76.3	72.3	91.0	83.5	89	110				

For orders larger than indicated quantity, please check with WOS.

Part Number		D	d	A	B	H <sub>1</sub>	H <sub>2</sub>	H <sub>3</sub>	SNFHE		SNFHES	
Type	No.								Unit Price	Volume Discount Rate	Unit Price	Volume Discount Rate
									Qty. 1 - 9	10-20	Qty. 1 - 9	10-20
SNFHE SNFHES	1S	25.4	23	50.5	43.5	36.8	15.8	43.9				
	1.5S	38.1	35.7	50.5	43.5	44.7	23.7	49.5				
	2S	50.8	47.8	64.0	56.5	52.6	31.6	59.8				
	2.5S	63.5	59.5	77.5	70.5	63.0	42.0	71.9				
	3S	76.3	72.3	91.0	83.5	73.6	52.6	84.2				

For orders larger than indicated quantity, please check with WOS.

Part Number		D	d	d <sub>1</sub>	A	B	L	SNFRD		SNFRDS	
Type	No.							Unit Price	Volume Discount Rate	Unit Price	Volume Discount Rate
								Qty. 1 - 9	10-20	Qty. 1 - 9	10-20
SNFRD SNFRDS	1.5S	38.1	35.7	23	50.5	43.5	88				
	2S	50.8	47.8	35.7	50.5	43.5					
	2.5S	63.5	59.5	47.8	64.0	56.5					
	3S	76.3	72.3	59.5	77.5	70.5					

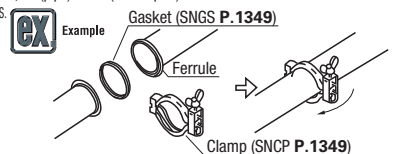
The ferrule is one size smaller. Ex.) For No.2S, 2S (pipe) x1.5S (ferrule part)

For orders larger than indicated quantity, please check with WOS.

Part Number		D	d	d <sub>1</sub>	A	B	L	SNFRY		SNFRYS	
Type	No.							Unit Price	Volume Discount Rate	Unit Price	Volume Discount Rate
								Qty. 1 - 9	10-20	Qty. 1 - 9	10-20
SNFRY SNFRYS	1.5S	38.1	35.7	23	50.5	43.5	88				
	2S	50.8	47.8	35.7	50.5	43.5					
	2.5S	63.5	59.5	47.8	64.0	56.5					
	3S	76.3	72.3	59.5	77.5	70.5					

The ferrule is one size smaller. Ex.) For No.2S, 2S (pipe) x1.5S (ferrule part)

For orders larger than indicated quantity, please check with WOS.



Ordering Example: Part Number - Nominal  
 SNFR2S - 32A  
 SNFRE3S - 32A