
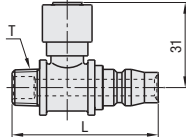

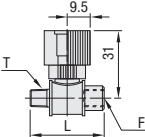

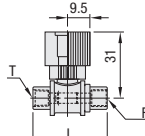


Compact Ball Valves / Compact Needle Valves

Knurled

•Compact Ball Valves  The photo shows "open" status. Close condition can be obtained by counterclockwise rotation of 90°.

<p>Knurled PT Male / Coupler Socket</p>  <p>M Material: Brass S Surface Treatment: Chrome Plating</p>	<p>BBKB</p> 
<p>Knurled PT Male / PF Female</p>  <p>M Material: Brass S Surface Treatment: Chrome Plating</p>	<p>BBPTS</p> 
<p>Knurled PT / PF Female</p>  <p>M Material: Brass S Surface Treatment: Chrome Plating</p>	<p>BBFFS</p> 

Part Number		T	L	Unit Price	Volume Discount Rate
Type	No.	R (PT)		1 ~ 4 pc(s).	5~10
BBKB	11F	1/8	53		
	22F	1/4			
	33F	3/8			

For orders larger than indicated quantity, please check with WOS.

Ordering Example **Part Number**
BBKB11F


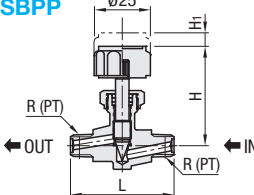

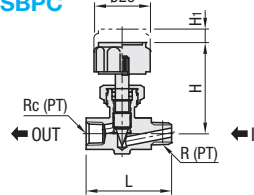

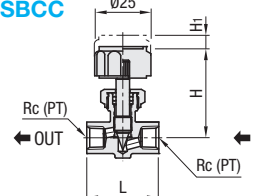

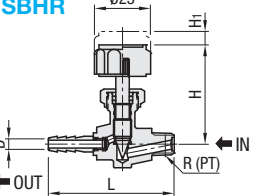
Part Number		T	F	L	Unit Price	Volume Discount Rate
Type	No.	R (PT)	G (PF)		1 ~ 4 pc(s).	5~30
BBPTS	11F	1/8	1/8	43		
	12F	1/8	1/4			
	21F	1/4	1/8			
	22F	1/4	1/4	53		
	32F	3/8	1/4			
	33F	3/8	3/8			
43F	1/2	3/8				

Height of 33F and 43F is 32. For orders larger than indicated quantity, please check with WOS.

Part Number		T	F	L	Unit Price	Volume Discount Rate
Type	No.	Rc (PT)	G (PF)		1 ~ 4 pc(s).	5~30
BBFFS	11F	1/8	1/8	43		
	12F	1/8	1/4			
	21F	1/4	1/8			
	22F	1/4	1/4	53		
	33F	3/8	3/8			
	43F	1/2	3/8			

Height of 33F is 32. For orders larger than indicated quantity, please check with WOS.

•Compact Needle Valves

<p>PT / PT Male</p>  <p>M Material: Brass S Surface Treatment: Chrome Plating</p>	<p>NSBPP</p> 
<p>PT Male / PT Female</p>  <p>M Material: Brass S Surface Treatment: Chrome Plating</p>	<p>NSBPC</p> 
<p>PT / PT Female</p>  <p>M Material: Brass S Surface Treatment: Chrome Plating</p>	<p>NSBCC</p> 
<p>PT Male / Hose Connection</p>  <p>M Material: Brass S Surface Treatment: Chrome Plating</p>	<p>NSBHR</p> 

Part Number		R	L	H	H1	Unit Price	Volume Discount Rate
Type	No.	(PT)				1 ~ 4 pc(s).	5~20
NSBPP	11	1/8	46	44	6		
	22	1/4	46				
	33	3/8	50				

For orders larger than indicated quantity, please check with WOS.

Part Number		R	Rc	L	H	H1	Unit Price	Volume Discount Rate
Type	No.	(PT)	(PT)				1 ~ 4 pc(s).	5~20
NSBPC	11	1/8	1/8	38	41	6		
	22	1/4	1/4	42	44			
	33	3/8	3/8	45	44			

For orders larger than indicated quantity, please check with WOS.

Part Number		Rc	Rc	L	H	H1	Unit Price	Volume Discount Rate
Type	No.	(PT)	(PT)				1 ~ 4 pc(s).	5~20
NSBCC	11	1/8	1/8	32	41	5		
	22	1/4	1/4	36	44	6		
	33	3/8	3/8	40	44	6		

For orders larger than indicated quantity, please check with WOS.

Part Number		Applicable Hose I.D. (mm)	R	D	L	H	H1	Unit Price	Volume Discount Rate
Type	No.		(PT)					1 ~ 4 pc(s).	5~20
NSBHR	61	6	1/8	7	56	44	6		
	93	9	3/8	10.5	66	44	6		

For orders larger than indicated quantity, please check with WOS.

Ordering Example **Part Number**
NSBCC33

Specifications

Applicable Fluids	Water, Air, Oil
Operating Temperature Range	-10 ~ 80°C (No Freezing)
Max. Operating Pressure	0.98MPa