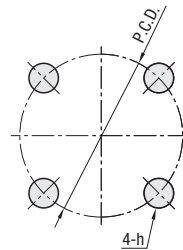
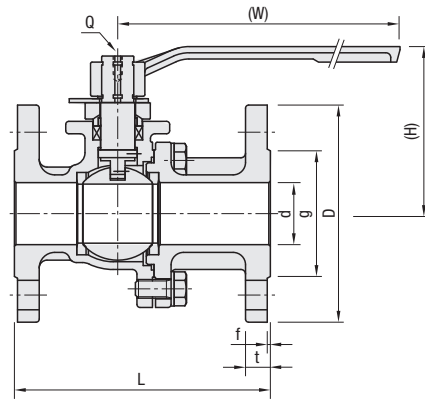
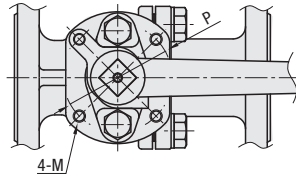


# Ball Valves

## Flanged Ball Valves

### Flanged Ball Valves

### BFRBG



### Features

- The full-port design reduces pressure loss.
- Lost wax precision casting product
- Key position can be locked at "Full-Open" and "Full-Close" positions.
- Equipped with anti static function.
- Tap on upper stem and fix by flat washer and bolts prevent fallout of grip.

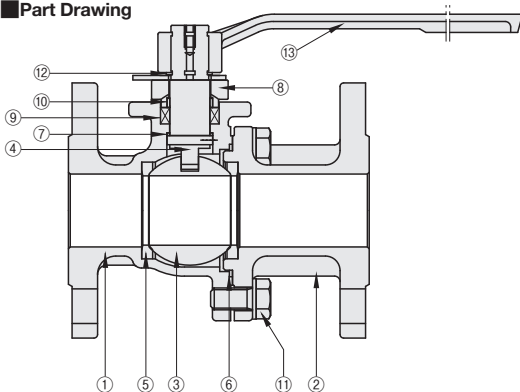
| Part Number |     | d  | D   | P.C.D. | g  | t  | f | h  | L   | (W) | (H) | Q  | P  | M  | Unit Price | Volume Discount Rate |
|-------------|-----|----|-----|--------|----|----|---|----|-----|-----|-----|----|----|----|------------|----------------------|
| Type        | No. |    |     |        |    |    |   |    |     |     |     |    |    |    | 1 pc.      | 2 ~ 5 pcs.           |
| BFRBG       | 15A | 15 | 95  | 70     | 51 | 12 | 1 | 15 | 108 | 145 | 85  | M4 | 42 | M5 |            |                      |
|             | 20A | 20 | 100 | 75     | 56 | 14 | 1 | 15 | 117 | 145 | 92  | M4 | 42 | M5 |            |                      |
|             | 25A | 25 | 125 | 90     | 67 | 14 | 1 | 19 | 127 | 165 | 90  | M5 | 50 | M6 |            |                      |
|             | 32A | 32 | 135 | 100    | 76 | 16 | 2 | 19 | 140 | 165 | 97  | M5 | 50 | M6 |            |                      |
|             | 40A | 38 | 140 | 105    | 81 | 16 | 2 | 19 | 165 | 230 | 108 | M5 | 70 | M8 |            |                      |
|             | 50A | 50 | 155 | 120    | 96 | 16 | 2 | 19 | 178 | 230 | 116 | M5 | 70 | M8 |            |                      |



Ordering Example

Part Number  
BFRBG15A

### Part Drawing



### Parts and Materials

| Part No. | Part Name      | Material    |
|----------|----------------|-------------|
| ①        | Body           | SCS13A      |
| ②        | Caps           | SCS13A      |
| ③        | Ball           | SCS13A      |
| ④        | Stem           | SUS304      |
| ⑤        | Ball Seat      | Fluororesin |
| ⑥        | Gasket         | Fluororesin |
| ⑦        | Thrust Washer  | Fluororesin |
| ⑧        | Gland          | SCS13A      |
| ⑨        | Gland Gasket   | Fluororesin |
| ⑩        | Stem Sleeve    | Fluororesin |
| ⑪        | Hex Screw      | SUS304      |
| ⑫        | Retaining Ring | SUS304      |
| ⑬        | Handle         | FCD400      |

### Specifications

|                         |                         |
|-------------------------|-------------------------|
| Applicable Fluids       | Water, Air, Oil and Gas |
| Max. Operating Pressure | 1.4MPa                  |