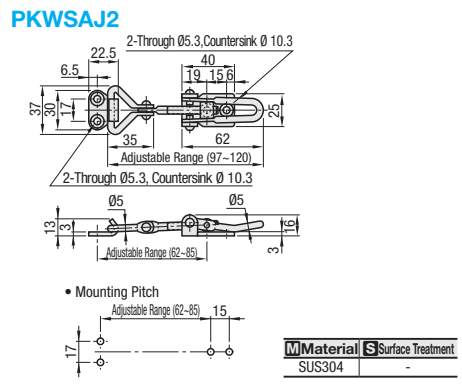
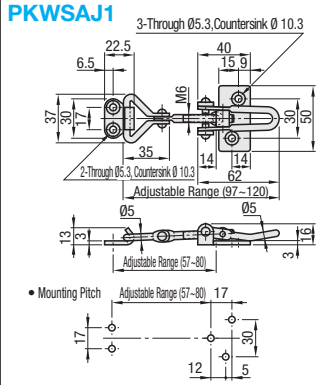


# Adjustable Draw Latches / Corner Draw Latches / Bar Latches / Cam Locks

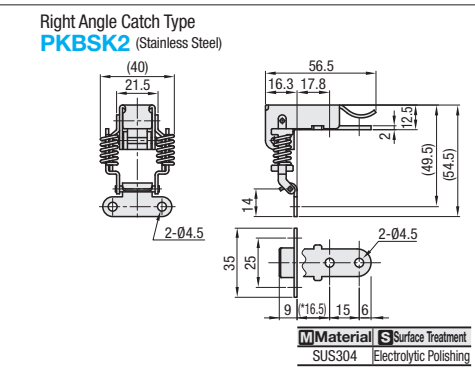
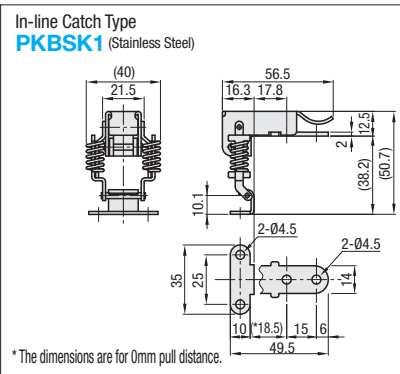


Part Number	No.	* Pull Force N (kgf)	Mass (g)	Unit Price 1 ~ 9 pc (s).	Volume Discount Rate 10~29 30~49 50~200
<b>PKWSAJ</b>	1	588 (60)	100		
	2	588 (60)	90		

\* Pull force is for 1mm pull distance.

**Features**  
Adjustable by approx. 23 mm when installing draw latches.

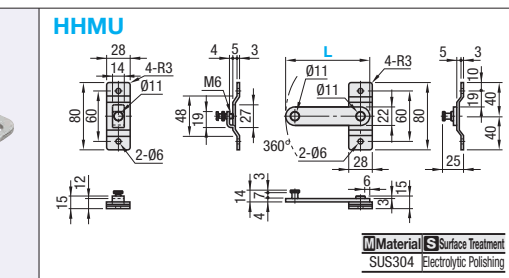
**Material** SUS304 **Surface Treatment**



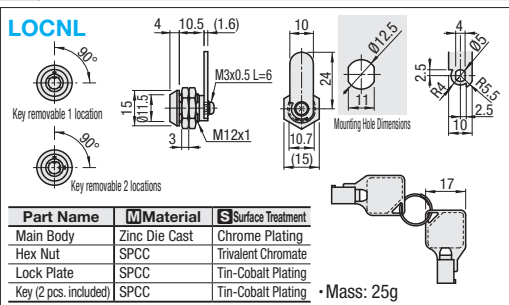
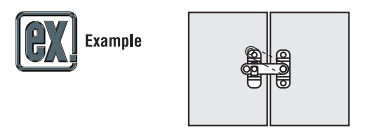
Part Number	No.	* Pull Force N (kgf)	Mass (g)	Unit Price 1 ~ 9 pc (s).	Volume Discount Rate 10~19 20~100
<b>PKBSK</b>	1	44 (4.5)	56		
	2				

\* Pull force is for 1mm pull distance.

**ex** Example



Part Number	Type	Mass (g)	Unit Price 1 ~ 9 pc (s).	Volume Discount Rate 10~50
<b>HHMU</b>	100	193		
	150	219		



Part Number	Operation Key Removal / Insertion	Unit Price 1 ~ 9 pc (s).	Volume Discount Rate 10~100
<b>LOCNL</b>	1 Location		
	2 Locations		

**i**

- The cam must turn right or left when locked, and must face upward when unlocked.
- Avoid applying external force to the cam when locked.
- Do not insert or remove the key while rotating. Insert/remove at a predetermined position.

**Ordering Example** Part Number  
PKWSAJ1  
PKBSK2  
LOCNL1