


# Aluminum Detachable Hinges / Detachable Hinges for Heavy Loads

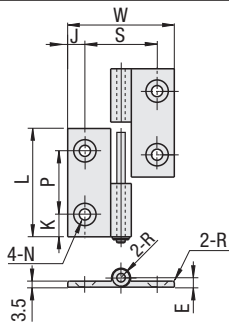
**Aluminum Detachable Hinges**



**RoHS 10**

**HHPNL**  
(For Left-hand Use)

**HHPNR**  
(For Right-hand Use)



(The drawing is for left-hand use.)


The hinge nuts on **P.1199** are recommended when mating to panels, etc.

**M** Material: A6063S-T5  
**B** Bushing: Polyacetal  
**S** Surface Treatment: Anodize

Part Number Type	No.	* Allowable Load		Mass (g)	L	W	K	P	J	S	N		E	R	Unit Price 1 ~ 8 pc (s).	Volume Discount Rate 9-50
		kg	N								Through	Countersink				
HHPNL (For Left-hand Use)	5	10	98	22	47	36	11	25	7.5	21	5.5	11	5	5		
HHPNR (For Right-hand Use)	6			33		48	8.5	30	8	32	6.5	13	5.5	5.5		
	8			48		63	13	37	10	42						

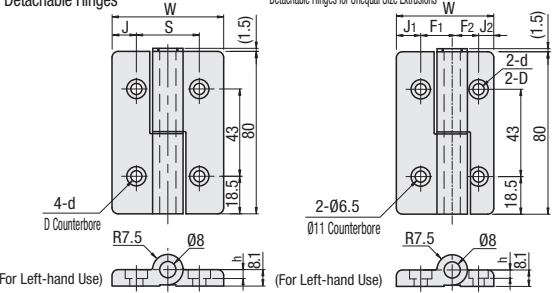
\* The allowable load is the value when 2 pieces are used.

**Aluminum Detachable Hinges**



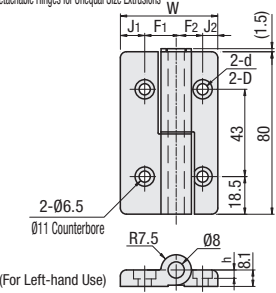
**RoHS 10**

**Detachable Hinges**



(For Left-hand Use)

**Detachable Hinges for Unequal Size Extrusions**



(For Left-hand Use)


The hinge nuts on **P.1199** are recommended when mating to panels, etc.

Part Number Type	No.	* Allowable Load		Mass (g)	W	J	S	d	D	h	Unit Price 1 ~ 19 pc (s).	Volume Discount Rate 20-50	
		Kg	N										
Detachable Hinges	5-25	10	98	86	41	7.5	26	5.5	9.5	4.1			
	HHPNLK			HHPNRK	103	55	12	31					
	HHPNLK-B			HHPNRK-B	120	73	16	41	6.5	11	4.4		
	HHPNLK-S			HHPNRK-S	130	83	18.5	46					

Part Number Type	No.	* Allowable Load		Mass (g)	W	J <sub>1</sub>	F <sub>1</sub>	d	D	h	J <sub>2</sub>	F <sub>2</sub>	Unit Price 1 ~ 19 pc (s).	Volume Discount Rate 20-50
		Kg	N											
Detachable Hinges for Unequal Size Extrusions	6-5	10	98	95	48	12	15.5	5.5	9.5	4.1	7.5	13		
	8-5			103	57	16	20.5				7.5	13		
	845-5			108	62	18.5	23				7.5	13		
	8-6			111	64	16	20.5	6.5	11	4.4	12	15.5		
	845-6			116	69	18.5	23				12	15.5		

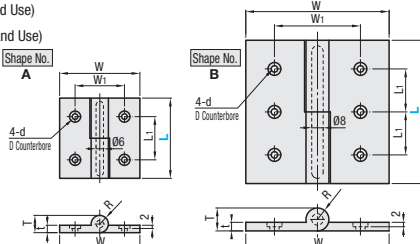
\* The allowable load is the value when 2 pieces are used.

**Detachable Hinges for Heavy Loads**



**RoHS 10**

**HNZL** (For Left-hand Use)  
**HNZR** (For Right-hand Use)



(The drawing is for left-hand use.)

	<b>M</b> Material	<b>S</b> Surface Treatment
Hinge Plate	SUS316	Buffing
Shaft	-	-
Bushing	Polyacetal	-

Part Number Type	L	Shape No.	W	W <sub>1</sub>	L <sub>1</sub>	T	R	t	D	d	* Allowable Load (N)	Weight (g)	Unit Price 1 ~ 19 pc (s).	Volume Discount Rate 20-50
	65	65	40	35	9.6	5.6	450	185						
HNZR	75	75	50	40	16	15.5	6	10.6	6.6	650	270			
	100	100	60	30						650	450			

\* The allowable load is the value when 2 pieces are used.

**Ordering Example**

**Part Number**

HHPNR5  
HHPNLK-B6  
HHPNRK8-5  
HNZL100