

# Knurled Plastic Knob Screws / Knurled Plastic Handwheels

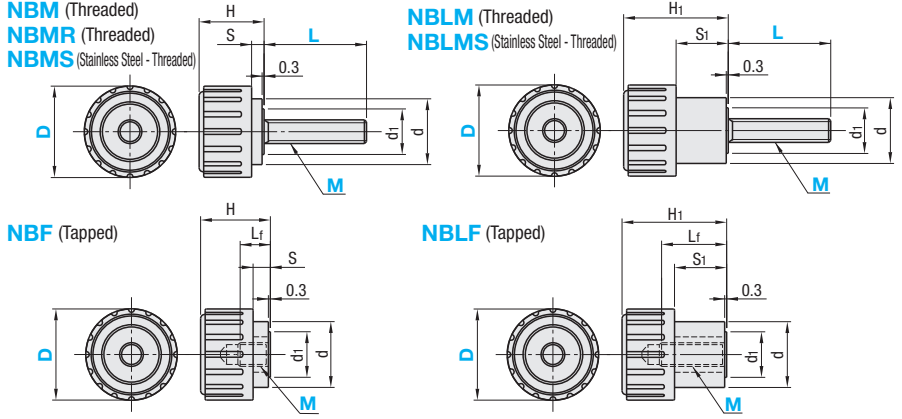
## Knurled



RoHS10

Type	Shape	Knob	Screw
Standard	Stepped	M Material	M Material S Surface Treatment
NBM	NBLM	ABS	SWCH12A
NBMS	NBLMS		SUS304 Equivalent (SUS316)
NBF	NBLF	Nylon 6	Brass (Insert)
NBMR	-		SS400

⚠ A protrusion for demolding is placed under the head.



Part Number	L Selection	Knob Color	Lf		H	H1	S	d	d1	Reference Mass (g)			Unit Price																		
			NBF	NBLF						NBM	NBLM	NBF	NBLF	NBMS	NBLMS	NBM	NBF	NBLM	NBLF	NBMS	NBLMS										
<b>NBM</b> <b>NBMS</b> <b>NBF</b> Stepped Type <b>NBLM</b> <b>NBLMS</b> <b>NBLF</b>	3-16	10 15	B (Black)	5	10	12	16	2	6	11	9	10	5	10																	
	4-16	10 15													6	15	14	20.5	4	9.5	15	15	6	15							
	5-16	10 15 20													9	16	18	27	6	15	19	10	19	9	19						
	5-20	15 20													6	15	14	20.5	4	9.5	15	19	15	6	15						
	6-20	10 15 20 25													9	16	18	27	6	15	19	10	19	9	19						
	6-25	15 20 25													6	15	14	20.5	4	9.5	15	19	15	6	15						
	6-32	20 25													9	16	18	27	6	15	19	12	29	16	29						
	8-32	15 25																													

\* White is available for NBM, NBF, NBLM and NBLF only. The default color will be black unless specified.

### Knobs Made by Nylon (NBMR)

Part Number	L Selection	Knob Color	H	S	d	d1	Reference Mass (g)	Unit Price
NBMR	5-20	10	B (Black)	14	4	15	10	15
	6-20	25		14	4	15		15
	8-25	16 25		18	6	19	12	29
	8-32	20				24		

Ordering Example: Part Number - L - Knob Color

NBM3-16 - 15 - B

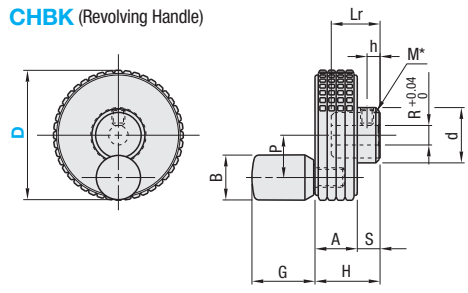
NBM5-20 - 20 - W

NBMR8-32 - 20 - B

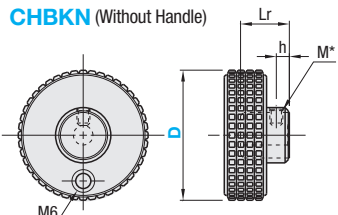


RoHS10

### CHBK (Revolving Handle)



### CHBKN (Without Handle)



	M Material	S Surface Treatment
Handwheel	Polypropylene	-
Handwheel Insert	Brass	-
Set Screw	SCM435	Black Oxide
Handle	Nylon6 (Black)	-
Handle Thread	SUM22L	Black Oxide

\* Tap will be added to the insert (brass).

Part Number	Type	D	H	A	S	d	R	Lr	h	P	B	G	M	Mass (g)		Unit Price	
														CHBK	CHBKN	CHBK	CHBKN
CHBK CHBKN	40	20	13	7	18.5	6	15	4	13	13	18.8	4	30	22			
	50	25	17	8	20	19	5	17.5	13	45	37						
	63	29	20	9	23	8	22	6	22	14	20.8	5	65	58			
	80	36	24	12	28	12	27	6	30	16	23.8	6	97	84			

Ordering Example: Part Number CHBK40