


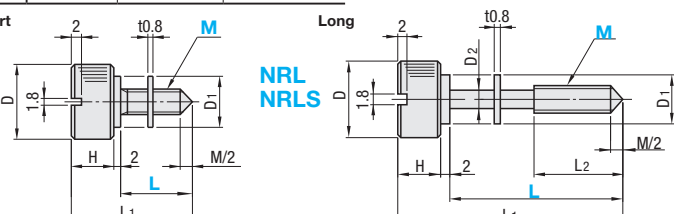
Knurled Knob Screws / Knurled Knob Screws - SR Tip

Knurled Knob Screws

RoHS 10



Type		M Material	S Surface Treatment	A Accessory
Short	Long			
NRS	NRL	C3604BD	Chrome Plating	Nylon Washer
NRSS	NRLS	SUS303	-	



Short

Part Number	L	L1	D	D1	H	Mass (g)	Unit Price	
							NRS	NRSS
NRS (Brass)	4	10	20	10	8	12		
		15	25			13		
		20	30			14		
NRSS (Stainless Steel)	5	10	20	12	10	15		
		15	25			15		
		20	30			24		
	6	10	22	18	10	24		
		15	27			25		

Ordering Example: Part Number - L
 NRSS - 15
 NRLS - 50

Long

Part Number	L	L1	L2	D	D1	D2	H	Mass (g)	Unit Price		
									NRL	NRLS	
NRL (Brass)	4	20	30	12	10	3	8	14			
		25	35					14			
		30	40					14			
	NRLS (Stainless Steel)	5	20	30	15	12	3.8	10	15		
			25	35					16		
			30	40					16		
NRLS (Stainless Steel)	6	30	42	15	18	4.5	10	27			
		35	47					27			
		40	52					28			
	8	40	52	24	14	6	10	50			
		50	62					29			
		50	62					53			

Alterations: Part Number - LC - (FC)
 NRLS8 - LC30 - FC20
 *LC is applicable to NRSS and NRLS (Stainless Steel) only.
 *FC is applicable to NRLS only.

Alteration | **Code** | **Spec.**

LC

L dimension can be specified in 1mm increment.
 Ordering Code: LC30

M	LC
4	10-30
5	10-40
6	10-50
8	20-50

*NRSS is applicable to M4 - 6.


Alteration | **Code** | **Spec.**

FC

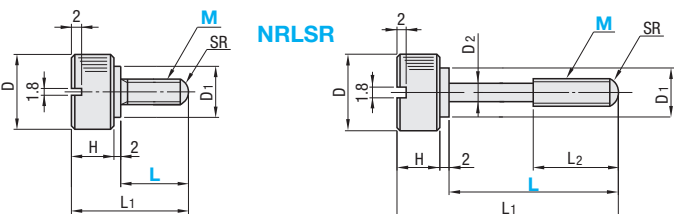
Threads can be specified in 1mm increment.
 Ordering Code: FC20
 M ≤ FC ≤ LC - 2
 *FC is only available in combination with LC.
 *Applicable to NRLS only.

Knurled Knob Screws - SR Tip

RoHS 10



Type		M Material
Short	Long	
NRSSR	NRLSR	SUS303



Short

Part Number	L	L1	D	D1	H	SR	Mass (g)	Unit Price	
								NRSSR	NRLSR
NRSSR	4	10	20	10	8	4	12		
		15	25				13		
		20	30				14		
	5	10	20	12	10	5	15		
		15	25				15		
		20	30				24		
	6	10	22	18	10	6	24		
		15	27				25		

Ordering Example: Part Number - L
 NRSSR4 - 10
 NRLSR6 - 35

Long

Part Number	L	L1	L2	D	D1	D2	H	SR	Mass (g)	Unit Price				
										NRLSR	NRLSR			
NRLSR	4	20	30	12	10	3	8	10	4	14				
		25	35						4	14				
		30	40						4	14				
	5	20	30	15	12	3.8	10	10	5	15				
		25	35						5	16				
		30	40						5	16				
6	40	50	15	18	4.5	10	10	5	17					
								30	42	6	27			
								35	47	6	27			
	8	40	52	24	14	6	10	10	6	28				
									40	52	6	28		
									50	62	6	29		
8	40	52	24	14	6	10	10	8	50					
								50	62	8	53			