

Push Button Plastic Clamp Levers / Disengaging Plastic Clamp Levers

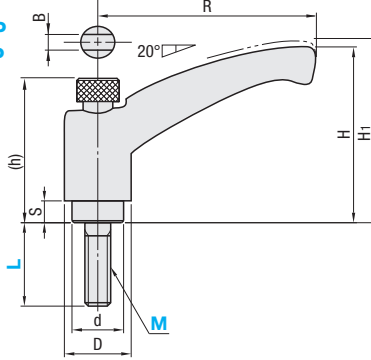
Push Button Plastic Clamp Levers



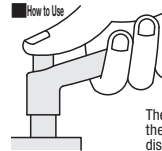
RoHS10

Type	Lever	Screw		Spring
	M Material	M Material	S Surface Treatment	M Material
CLNPP	Nylon 6 (Mat Black)	SUM22L	Black Oxide	SUS304-WPB
CLSPP		SUS303	-	

Threaded
CLNPP
CLSPP

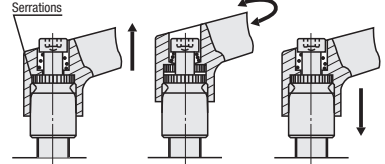


EX Example



The projection at the head of the screw makes it easy to disengage the serrations.

How to Use



- 1 Pull up the lever to disengage the serrations, and the clamp is unlocked.
- 2 Turn the unlocked lever to desired position.
- 3 When the lever is released, the return spring automatically engages serrations and locks again.

Part Number Type	M	L Selection							R	H	H1	(h)	S	D	d	Number of Serrated Teeth	B	Max. Load Fmax. (N)	Max. Tightening Force Pmax. (kN)	Reference Mass (g)	Unit Price	
		CLNPP	CLSPP																			
Threaded CLNPP CLSPP	4	20							48	33.5	35.5	30	3	13	10	16	1.3	21	1.7	18		
	5	12	16	20	25	32																
	6	12	16	20	25	32	40															
	8	16	20	25	32	40	50	65	44.5	46.5	40.5	3.5	18	14	20	1.3	120	7	40			
	10	20	25	32	40	50		82	54	56	47	6.5	21	16	24	1.3	200	11	80			
12	25	40					92	64	66	56	6.5	25	19	28	1.3	290	16	120				

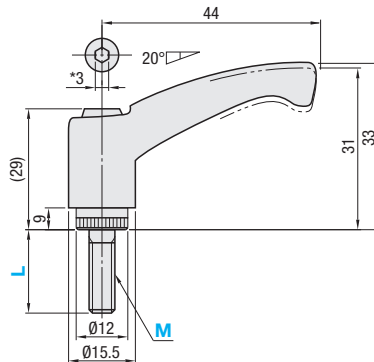
Disengaging Plastic Clamp Levers



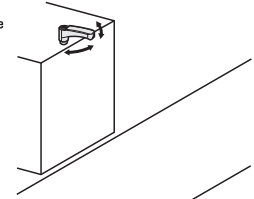
RoHS10

Type	Lever	Screw		Spring
	M Material	M Material	S Surface Treatment	M Material
CLNPA	Nylon 6 (Mat Black)	SUM22L	Black Oxide	SUS304-WPB

Threaded
CLNPA

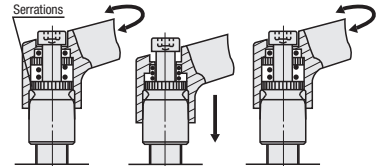


EX Example



- 1 Levers are in a free state at the home position and thus, do not harm operators.
- 2 Levers do not loosen even when turned accidentally.

How to Use



- 1 The lever is unlocked. Turn the lever to the desired position.
- 2 By pushing down the lever, the serrations are engaged and locked.
- 3 By releasing the lever, the serrations are disengaged by spring force and the lever is unlocked.

Part Number Type	M	L Selection							Number of Serrated Teeth	Max. Load Fmax. (N)	Max. Tightening Force Pmax. (kN)	Reference Mass (g)	Unit Price
		CLNPA											
Threaded CLNPA	4	12	20					16	21	1.7	18		
	5	12	16	20	25	32							
	6	12	16	20	25	32							

Ordering Example	Part Number	-	L
	CLNPP4	-	20
	CLNPA4	-	12

EX Example

