


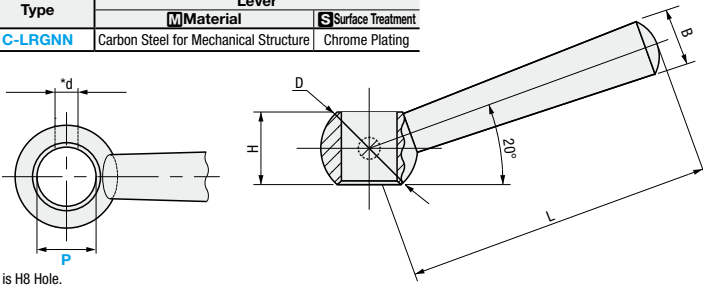
MISUMI C-VALUE Cone Shaped Levers, Balance Handles

Similar Product Page: P.1148, 1153

Cone Shaped Lever



Type	Lever	
	M Material	S Surface Treatment
C-LRGNN	Carbon Steel for Mechanical Structure	Chrome Plating




P is H8 Hole.
 The *d part is Dowel Pin Hole. For dowel pins, select the applicable product on P.255 or procure it separately from this catalog.

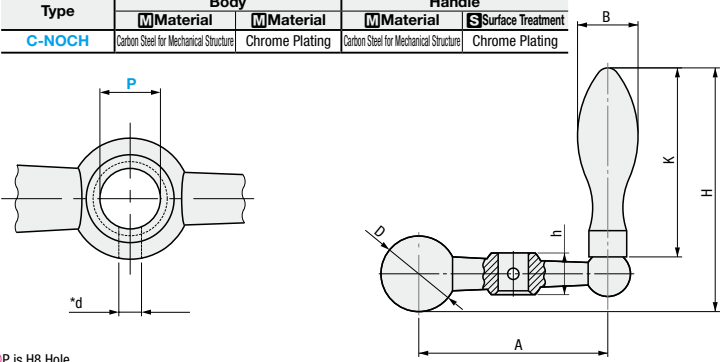
Part Number		L	D	H	B	d	Reference Mass (g)	Unit Price
Type	P							
C-LRGNN	5	40	12	9	7	2	15	
	6	50	14	10	8	2	19	
	8	63	16	11	10	3	33	
	10	80	20	14	12	3	66	
	12	100	25	18	15	4	134	
	16	125	32	22	18	5	229	

Ordering Example **Part Number**
C-LRGNN5

Balanced Handle



Type	Body		Handle	
	M Material	M Material	M Material	S Surface Treatment
C-NOCH	Carbon Steel for Mechanical Structure	Chrome Plating	Carbon Steel for Mechanical Structure	Chrome Plating



P is H8 Hole.
 The *d part is Dowel Pin Hole. For dowel pins, select the applicable product on P.255 or procure it separately from this catalog.

Part Number		A	K	H	D	d	h	B	Reference Mass (g)	Unit Price
Type	P									
C-NOCH	8	50	40	55	20	3	11	13	80	
	10	64	50	69	25	3	14	16	150	
	12	80	63	87	32	4	18	20	310	
	14	126	80	109	38	5	22	25	644	
	16	160	80	109	38	5	22	25	710	
	18	200	100	135	45	6	28	32	1300	

Ordering Example **Part Number**
C-NOCH8