


Similar Product Comparison Point

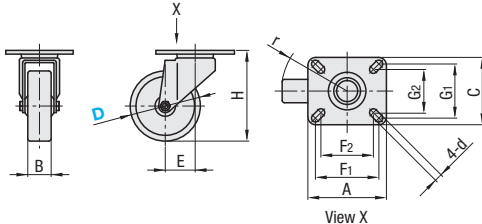
RoHS: Not Compliant, Standard for Running Test: Internal Standard Based on GB (for details, see P.1063)

Similar Products Page P.1066

Swivel




Type	Main Body		Wheel		Bearing	
	M Material	S Surface Treatment	M Material (Color)	Swiveling Part	Wheel	
C-CTCJ	SPCC	Zinc Plating	Rubber (Black)	Incorporated	Incorporated	



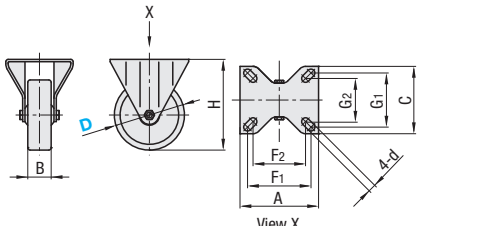
View X

Part Number Type	D	Wheel Material	H	A	C	F1	F2	G1	G2	d	B	E	r	Allowable Load (N)	Mass (g)	Unit Price
C-CTCJ	75	R (Rubber)	97	84	72	64.3	60	54	50	8.5	25	32.5	70	700	485	
	100		128	105	85	82.5	70	62.5								
	125		152.5							9	37.5	47	107.5	1200	1250	
	150		187	135	105	110	100	85	75	11	40	68	143	1600	2350	

Fixed




Type	Main Body		Wheel		Bearing	
	M Material	S Surface Treatment	M Material (Color)	Swiveling Part	Wheel	
C-CTCK	SPCC	Zinc Plating	Rubber (Black)	None	Incorporated	



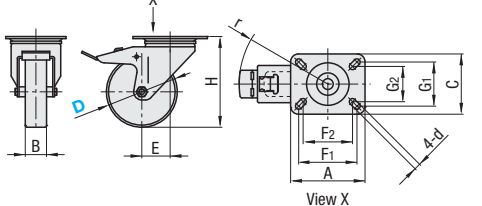
View X

Part Number Type	D	Wheel Material	H	A	C	F1	F2	G1	G2	d	B	E	r	Allowable Load (N)	Mass (g)	Unit Price
C-CTCK	75	R (Rubber)	97	84	72	64.3	60	54	50	8.5	25	32.5	70	700	399	
	100		128	105	85	82.5	70	62.5								
	125		152.5							9	37.5	47	107.5	1200	1033	
	150		187	140	115	110	100	85	75	11	40	68	143	1600	1865	

Swivel with Stopper



Type	Main Body		Wheel		Bearing	
	M Material	S Surface Treatment	M Material (Color)	Swiveling Part	Wheel	
C-CTCS	SPCC	Zinc Plating	Rubber (Black)	Incorporated	Incorporated	



View X

Part Number Type	D	Wheel Material	H	A	C	F1	F2	G1	G2	d	B	E	r	Allowable Load (N)	Mass (g)	Unit Price
C-CTCS	75	R (Rubber)	97	84	72	64.3	60	54	50	8.5	25	32.5	93	700	563	
	100		128	105	85	82.5	70	62.5								
	125		152.5							9	37.5	47	127	1200	1424	
	150		187	135	105	110	100	85	75	11	40	68	184	1600	2524	

Ordering Example
 Part Number - Wheel Material
 C-CTCJ75 - R