


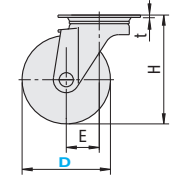
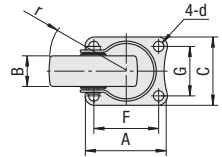


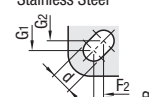
Casters Electrically Conductive / Stainless Steel

Swivel
CRJJDG
CSRJJDG
CSMJU

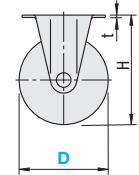
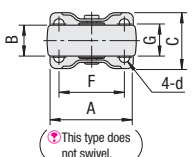



Stainless Steel



D125, 150

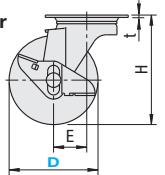
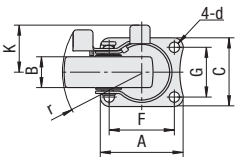
Fixed
CRKJDG
CSRKJDG
CSMKU

⚠ This type does not swivel.

⊙ indicates the swivel radius of wheel.

Swivel with Stopper
CRSDG
CSRSDG
CSMSPU

Type	Main Body	Wheel	Bearing		
	Material	Surface Treatment	Material (Color)	Swiveling Part	Wheel
CRJJDG / CRKJDG / CRSDG	SPHC	Trivalent Chromate	Electrically Conductive Rubber (Black)*	Incorporated	None
CSRJJDG / CSRKJDG / CSRSDG	SUS304		Rubber (Black)		For D dimensions 100, 125 and 150 only. For D dimensions 150 only.
CSMJU / CSMKU / CSMSPU	SUS304	Barrel Grinding	Urethane (Gray) Nylon (White)		

* Electrically conductive rubber specific volume resistivity: between 10² to 10⁴ Ω·cm

Electrically Conductive Wheel

Main Body	Part Number		D	B	H	A	C	r		K		F	d	t	E	G	Allowable Load (N)	Mass (g)		Unit Price	
	Steel Type	Stainless Steel						Steel Type	Stainless Steel	Steel Type	Stainless Steel							Steel Type	Stainless Steel		
Swivel	CRJJDG	CSRJJDG	50	20	65	70	42	47	47	-	-	56	6.5	2	22	28	300	190			
			65	25	85	70	58	61	61	-	-	55	8.8	2.3	27	42	500	370			
			75	25	93	70	58	66	66	-	-	82	8.8	2.3	28	40	600	420			
			100	25	122	100	58	82	82	-	-	82	8.8	2.3	31	40	500	600			
Fixed	CRKJDG	CSRKJDG	50	20	65	70	42	-	-	-	-	56	6.5	2	-	28	300	140			
			65	25	85	70	47	-	-	-	-	55	8.8	2.3	-	28	500	250			
			75	25	93	70	47	-	-	-	-	82	8.8	2.3	-	40	600	290			
			100	25	122	100	58	-	-	-	-	82	8.8	2.3	-	40	500	510			
Stopper	CRSDG	CSRSDG	50	20	65	70	42	51	51	32	31	56	6.5	2	22	28	300	210			
			65	25	85	70	58	67	67	43	40	55	8.8	2.3	27	42	500	430			
			75	25	93	70	58	68	68	43	40	82	8.8	2.3	28	40	600	470			
			100	25	122	100	58	82	82	44	43	82	8.8	2.3	31	40	500	670			

Stainless Steel Casters

Main Body	Part Number		Wheel Material	B				H	A	C	F1	F2	d	t	E	G1	G2	K	r	Allowable Load (N)				Mass (g)				Unit Price			
	Type	D		R	U	N	R													U	N	R	U	N	R	U	N				
Swivel	CSMJU	R (Rubber) ^{*1}	75	25	26	25	93	70	58	55	-	8.8	2.3	28	42	-	66	600	700	800	390										
			100	29	32	32	132	90	90	71	68	-	11	3	32	71	68	82	800	1000	1000	950									
			125	32	32	32	168	102	102	80	75	11	3	36	80	75	99	1000	1200	-	1230										
			150	40	40	40	190	102	102	80	75	11	3	40	80	75	115	-	1800	1600	1500	1500									
Fixed	CSMKU	U (Urethane)	75	25	26	25	93	70	47	55	-	8.8	2.3	-	-	28	-	-	-	-	600	700	800	270							
			100	29	32	32	132	110	75	90	80	-	11	3	50	45	-	-	-	-	800	1000	1000	720							
			125	32	32	32	168	140	94	112	100	11	3	53	56	-	-	-	-	-	1000	1200	-	1180							
			150	40	40	40	190	102	102	80	75	11	3	80	75	-	-	-	-	-	1800	1600	1290	1290							
With Stopper	CSMSPU	N (Nylon) ^{*2}	75	25	26	25	93	70	58	55	-	8.8	2.3	28	42	-	43	68	60	700	800	430									
			100	29	32	32	132	90	90	71	68	-	11	3	32	71	68	55	86	800	1000	1000	1060								
			125	32	32	32	168	102	102	80	75	11	3	34	80	75	54	97	1000	1200	-	1340									
			150	40	40	40	190	102	102	80	75	11	3	40	80	75	65	115	-	1800	1600	1720	1720								

⊙ *1 R (Rubber) Type of D dimension 150 is not available for Swivel, Fixed and Stopper Types. ⊙ *2 N (Nylon) Type of D dimension 125 is not available for Swivel, Fixed and Stopper Type.



Ordering Example

Part Number - Wheel Material

CRJJDG100
CSMKU125 - U