


LED Lighting for Cabinetry

Direct Ring / Backlight

Features: By illuminating from 360 deg. direction, even lighting without a shadow is obtained.

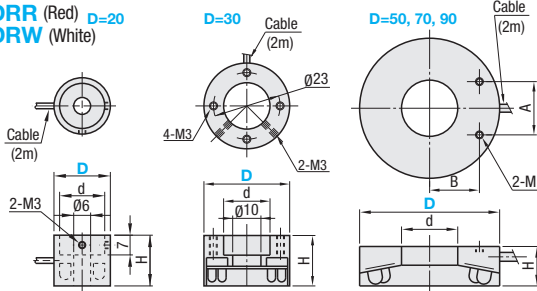
Image Sample P.1060.

Direct Ring Type



RoHS 10

LPDRR (Red) D=20
LPDRW (White)



M Material : Aluminum (Main Body)
S Surface Treatment : Black Anodize (Main Body)


End of the cable has a connector for the power controller.

| Part Number Type | D | * Illumination Angle (degree) | Illumination Area | WD | d | H | A | B | M | Mass (g) | Unit Price | Volume Discount Rate |
|------------------|----|-------------------------------|-------------------|--------|------|----|----|----|-----|----------|--------------|----------------------|
| | | | | | | | | | | | 1 ~ 4 pc(s). | 5 ~ 20 pcs. |
| LPDRR LPDRW | 20 | 90 | Ø10~30 | 30~70 | 16.1 | 18 | - | - | - | 70 | | |
| | 30 | 90 | Ø40~60 | 50~100 | 16.1 | 18 | - | - | - | 75 | | |
| | 50 | 80 | Ø60~80 | 50~100 | 20 | 14 | 20 | 18 | 3 | 60 | | |
| | | 25 | | 10~20 | 20 | | | | | 80 | | |
| | 70 | 80 | 50~100 | 34 | 40 | 30 | 25 | 4 | 100 | | | |
| | | *25 | 10~20 | 51 | | | | | 140 | | | |
| | 90 | 80 | 50~100 | 40 | 40 | 40 | 32 | 4 | 140 | | | |
| | | *25 | 10~20 | 62 | | | | | 120 | | | |

* For LPDRR and LPDRW, use LEDCNR0.5 (P.1060) controller. (Third-party controllers cannot be used.) * LPDRR 70-25 and 90-25 in the Specification Table are not available. * For orders larger than indicated quantity, please check with WOS.
 * When selecting an illumination angle, refer to the "Features and Usage of LED Lighting" below.

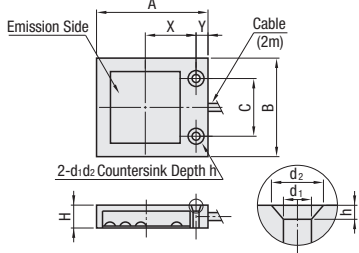
Image Sample P.1060.

Backlight Type (Embedded Light)



RoHS 10

LPDRR (Red)
LPDRW (White)



M Material : Aluminum (Main Body), Polyacetal (Emission Side)
S Surface Treatment : Black Anodize (Main Body)
A Accessory : Flat Head Screw for Attachment, 2 pcs.

| Part Number Type | No. | Emission Side | A | B | C | X | Y | H | | d1 | d2 | h | Mass (g) | | LPBLR | | LPBLW | |
|------------------|-----|---------------|----|----|----|----|-----|-------|-------|-----|-----|---|----------|-------|--------------|----------------------|--------------|----------------------|
| | | | | | | | | LPBLR | LPBLW | | | | LPBLR | LPBLW | Unit Price | Volume Discount Rate | Unit Price | Volume Discount Rate |
| LPBLR LPBLW | 25 | 25x25 | 40 | 35 | 20 | 18 | 4.5 | 8 | 25 | 3.4 | 6 | 2 | 55 | 100 | 1 ~ 4 pc(s). | 5 ~ 20 pcs. | 1 ~ 4 pc(s). | 5 ~ 20 pcs. |
| | 50 | 50x50 | 70 | 60 | 40 | 33 | 7 | 10 | | 4.5 | 8.5 | 3 | 100 | 200 | | | | |
| | 75 | 75x75 | 95 | 85 | 50 | 46 | 6.5 | 10 | | 150 | 320 | | | | | | | |

* Use the controller LEDCNR1/LEDCNRF2 (P.1060). (Do not use the controllers of other manufacturers.) * For orders larger than indicated quantity, please check with WOS.

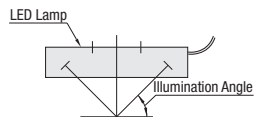
Ordering Example

| | | |
|-------------|---|--------------------|
| Part Number | - | Illumination Angle |
| LPDRR50 | - | 80 |
| LPBLW50 | | |

Features and Usage of LED Lighting

① Direct Ring Type

- By illuminating from 360 deg. direction, even lighting without a shadow is obtained.
- Units with large illumination angle (80°) provide large amounts of illumination on workpieces and are suitable when ample lighting is desired (a). However, the reflection of LED Lighting may occur in the case of the glossy products. In such cases, reflection can be reduced by using a diffuser board.
- Units with small illumination angle (25°) do not cause the LED light source reflections on gloss workpieces and are suitable for detection of shallow bumps and scratches (b).



② Backlight Type

- A lighting unit providing a large amount of illumination with LEDs facing directly upwards.
- Does not occupy much space as it is designed to be compact (c).

Examples of LED Lamp Placements

• Direct Ring Type Illumination Angle 80° • Direct Ring Type Illumination Angle 25° • Backlight Type

