

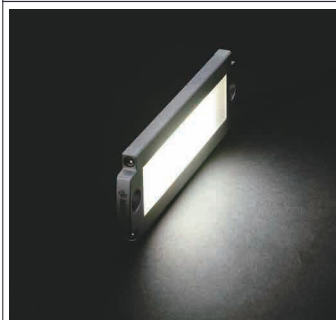
Note that, for some of the types shown here, order might be unable to be received by the MISUMI Malaysia, Indonesia and/or India offices.

LED Line Light Low Profile/Low Profile With Magnet Type

IP50

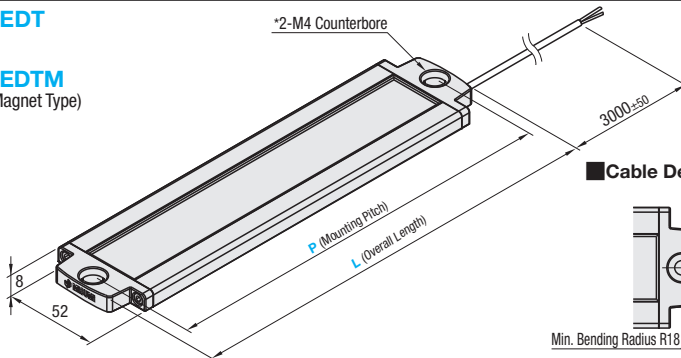


RoHS 10

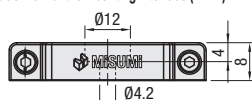


LEDT

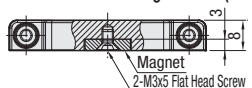
LEDTM (Magnet Type)



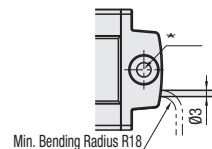
Side View of the Mounting Interface (LEDT)



Side View of the Mounting Interface (LEDTM, Magnet Type)



Cable Detail



Back View of LEDTM (Magnet Type)

Part Name	Material	Surface Treatment
Main Body	Aluminum	Anodized
Surface Cover	Polycarbonate	Mist Surface Treatment
Magnet (LEDTM only)	Neodymium Magnet	-
Screw on Both Ends	SUS304	-
Cable	PVC	-

- * LEDTM (Magnet Type) has no holes on the surface.
- ⊕ For AC Adapter and ON / OFF Switch, see P1054.
- ⊖ Dimming not possible. For Dimming Types, see P1025.

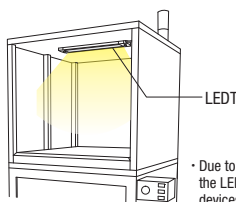
Part Number	Color	L	Illuminance (Lux, lx)		Fluorescent lamp illumination comparison (Ref.)	Input Voltage (V)	Input Current (mA)	Power Consumption (W)	Attraction Force N (kgf)	Temperature Range (°C)	Color Temperature (Kelvin, K)	Luminous Intensity Angle	LEDT		LEDTM								
			lx/0.5m	lx/1m									LEDT	LEDTM	Unit Price	Volume Discount Rate	Unit Price	Volume Discount Rate					
LEDT LEDTM (Magnet Type)	W (White)	150	166	410	110	10W~	130	3.1	21.5 (2.2)	-10~45	5000	Approx. 110°	170	180	1-4 pc(s)	5-9	10-50	1-4 pc(s)	5-9	10-50			
		270	286	720	220	20W~	260	6.2					280	290									
		390	406	1120	330	40W~	390	9.4					390	400									
		510	526	1430	430		520	12.5					500	510									

- ⊕ For each detail, see the glossary on P1055. ⊕ For order and installation, confirm "Notes on Usage" section on P1056.
- ⊕ As the LED elements vary on their luminous colors and luminance, they may be slightly different in their colors and brightness, though they are of the same part numbers.

Ordering Example
 Part Number - Color
 LEDT150 - W
 LEDTM270 - W

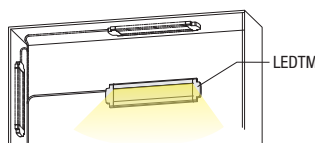
Example

Fixed by Bolts (LEDT)



• Due to its 8 mm thickness, the LEDT is recommended for devices where space is limited.

Fixed by magnet (LEDTM)



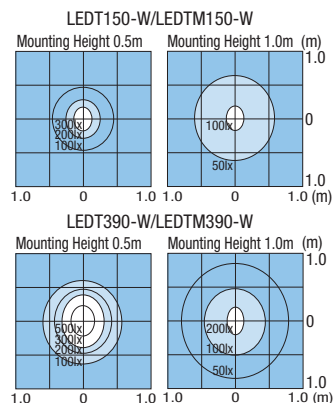
• Magnets are used to mount the LEDTM, which makes it possible to freely position the light for the work or situation.

Emission Side

High uniformity and illuminance is achieved by lining up small LED elements with narrow interspacing.



Illuminance Data (Ref.)



Light Emission Spectrum

