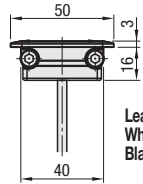
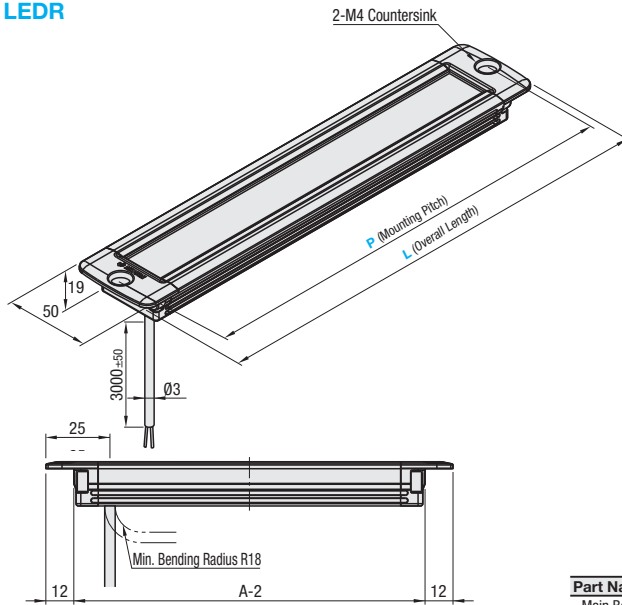


LED Line Light - Embedded

IP55

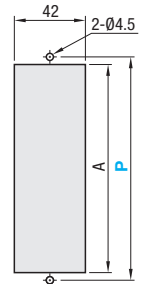


LEDR



Lead Wire
White +
Black -

Dimension of Panel Mounting Hole



Part Name	Material	Surface Treatment
Main Body	Aluminum	Anodized
Surface Cover	Polycarbonate	Mist Surface Treatment
Screw on Both Ends	SUS304	-
Cable	PVC	-

For AC Adapter and ON / OFF Switch, see P.1054.
Dimming not possible. For Dimming Types, see P.1025.

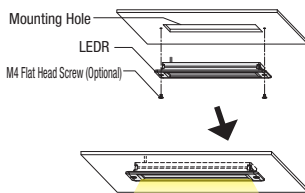
Part Number Type	Color	L	A	Illuminance (Lux, lx)		Fluorescent lamp illumination comparator (Ref.)	Input Voltage (V)	Input Current (mA)	Power Consumption (W)	Temperature Range (°C)	Color Temperature (Kelvin, K)	Luminous Intensity Angle	Mass (g)	Unit Price (1 ~ 4 pcs)	Volume Discount Rate (5 ~ 9)	10 ~ 50
				lx/0.5m	lx/1m											
LEDR	W (White)	200	193	410	110	10W~	DC24 ±10%	240	5.6	-10~45	5000	Approx. 110°	290			
		360	353	710	220	20W~		480	11.2				495			
		520	513	950	260	20W~		720	16.8				700			
		680	673	1200	370	40W~		960	22.4				900			

For each detail, see the glossary on P.1055.
For order and installation, confirm "Notes on Usage" section on P.1056.
As the LED elements vary on their luminous colors and luminance, they may be slightly different in their colors and brightness, though they are of the same part numbers.

Ordering Example: Part Number - Color
LEDR200 - W

Example

Example of Embedding



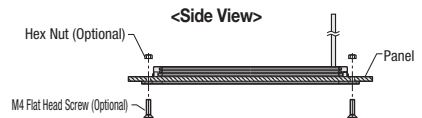
For this light, an installation hole is created in a panel and ceiling and the light is fitted in the hole.

The cable is also embedded and unexposed, which improves the design.

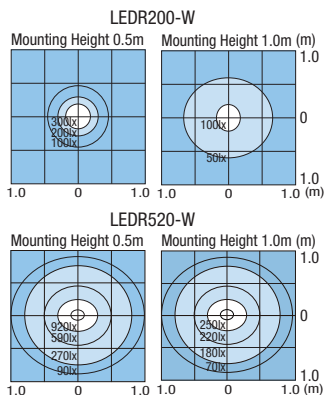
The amount that sticks out is 3mm thick making it suitable for inside devices where space is limited.

Installation Method

- To install, fix it using flat head screws (sold separately) and hex nuts (sold separately), etc.
- For the hole dimensions when installing on panels and cabinets, check the above size table.



Illuminance Data (Ref.)



Light Emission Spectrum

