


LED Line Light Dimming Type

IP65*



LEDSC

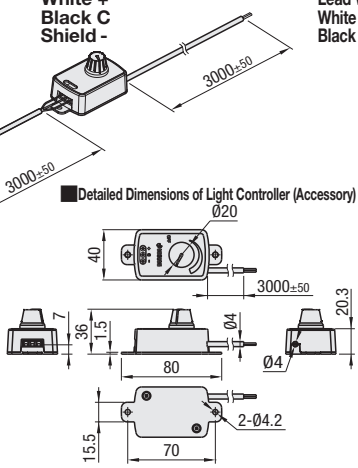
RoHS 10

White + Black C Shield -

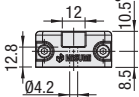
Lead Wire White + Black -

3000±50

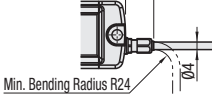
Detailed Dimensions of Light Controller (Accessory)



Side View of the Mounting Interface



Cable Details



Min. Bending Radius R24

Part Name	Material	Surface Treatment
Main Body	Aluminum	Anodized
Surface Cover	Polycarbonate	Mist Surface Treatment
Screw on Both Ends	SUS304	-
Cable	PVC	-
Light Controller	ABS Resin	-
Gasket	Silicon (White)	-

⚠ For AC Adapter, ON / OFF Switch and Angle Adjusting Bracket, see P.1054.
 ⚠ Light Control Unit is not sold separately.

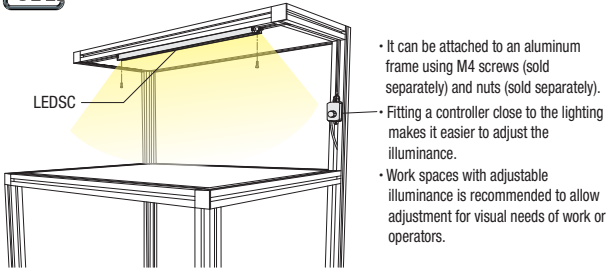
Part Number	Color	L	Illuminance (Lux, lx)		Fluorescent Light Illuminance Comparison (Reference)	Input Voltage (V)	Input Current (mA)	Power Consumption (W)	Temperature Range (°C)	Color Temperature (Kelvin, K)	Luminous Intensity Angle	Mass (g)	Unit Price	Volume Discount Rate
			lx/0.5m	lx/1m									1 ~ 4 pc(s).	5~50
LEDSC	W (White)	190	200	490	120	10W~	225	5.4	-10 ~ 45	5000	Approx. 110°	310		
		350	360	750	210	20W~	450	10.8				460		
		665	675	1180	360	40W~	900	21.6				820		
		980	990	1330	400		1350	32.4				1180		

* Only the main body has an IP65 rating. The dimmer controller is not rated IP65.

- ⚠ As it is a Dimming Type, the data shown is the maximum value.
- ⚠ For each detail, see the glossary on P.1055. ⚠ For order and installation, confirm "Notes on Usage" section on P.1056.
- ⚠ As the LED elements vary on their luminous colors and luminance, they may be slightly different in their colors and brightness, though they are of the same part numbers.

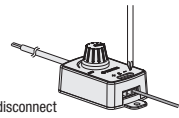
Ordering Example Part Number - Color
LEDSC190 - W

EX Example



Example of Wiring for Light Controller (Accessory)

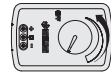
Insert the leads and tighten the screws with a Phillips screwdriver.



- ⚠ When screw tightening the leads, be sure to disconnect the power or turn the power OFF.

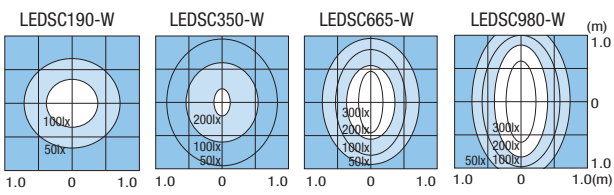
About power ON/OFF function

When the knob is turned all the way to the left, a click will be heard and the power will be OFF.



- ⚠ Dimming is controlled by applied voltage. When dimming at a low voltage, the LED elements will have unstable emission.

Illuminance Data (Reference) * Only for installation height 1.0 m **Light Emission Spectrum**



⚠ As it is a Dimming Type, the data is the MAX value.

