
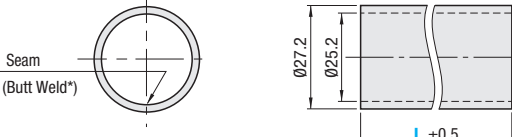


Note that, for some of the types shown here, order might be unable to be received by the MISUMI Indonesia, and/or India offices.

Stainless Steel Pipe Frames / Joints / Accessory Parts

Stainless Steel Pipe Frames

PFSUS (L Configurable)

Seam (Butt Weld*)

*The height of welding bead is shorter than 0.1mm.

RoHS10

M Material SUS430

L Configurable

Part Number		L 1mm Increment	Mass kg/m	Unit Price	Unit Price/m
Type	No.			Less Than 300mm	300mm or More
PFSUS	28	60~2400	0.62	1 ~ 50 pc(s).	1 ~ 50 pc(s).

For orders larger than indicated quantity, please check with WOS.



Ordering Example
Part Number - L
PFSUS28 - **1250**

When L is less than 300, the unit price is as indicated in the table, regardless of its length.

When L is 300 or more, total prices are calculated as follows:
Unit Price/m x Specified Full Length = Sales Price


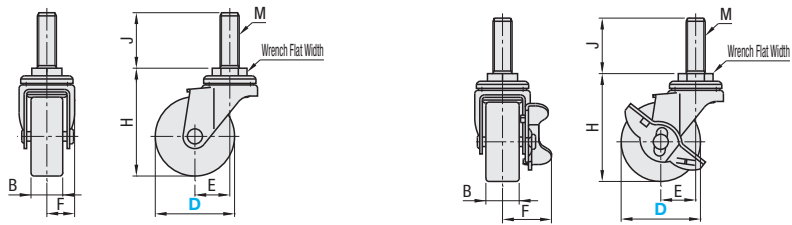
Accessory Parts for Stainless Steel Pipe Frame

Due to the different sizes of Stainless Steel Pipe Frames from the Resin Coated and Extruded Aluminum Pipe Frames, the pipe insertion type accessories cannot be used. For Metal Joints, Casters, Adjusting Bolt Set, Insert Nuts and Inner Caps, use the following parts.

Caster

FFS301

FFS301S (with Stopper)

*Tighten with a wrench for pipe inserts (PFSP21). (P903)


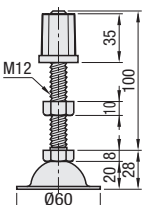
When mounting on Stainless Steel Pipe Frames, use in combination with Insert Nuts (SPFINS 12).

Type	Main Body		Wheel	Body Bearing
	M Material	S Surface Treatment	M Material	
FFS301	SPHC	Trivalent Chromate	Synthetic Rubber	Provided
FFS301S				

Part Number	Type	D	Wheel Material		M	B	F	H	J	E	Wrench Flat Width mm	Mass kg	Allowable Load N	Unit Price
			Component	Color										
FFS301		50	R (Synthetic Rubber)	Black	12	20	17.5	68	35	22	19	165	300	
		75		Gray		25	25.5	97		28	21	430	600	
FFS301S (with Stopper)		50	R (Synthetic Rubber)	Black	12	20	30.9	68	35	22	19	190	300	
		75		Gray		25	43.3	97		28	21	485	600	

Adjusting Bolt Set

JBS410S


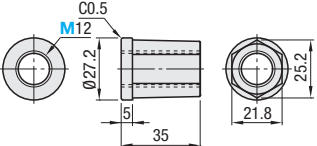
Insert Nut SPFINS12 and a Leveling Mount NFJN12-100 are included as a set.

Part Number	Adjusting Bolts	Insert Nut
JBS410S	M Material S Surface Treatment	M Material
	SS400 Equivalent Trivalent Chromate	Stainless Steel

RoHS10

Insert Nut

SPFINS12

Tapered part from tip to head (1.2°) allows insertion into the I.D. of pipe frames.

RoHS10

M Material Stainless Steel

Part Number	Mass (g)	Unit Price
JBS410S	269	

Part Number	Mass (g)	Unit Price
SPFINS	85	



Ordering Example
Part Number - Wheel Material
FFS301-75 - **R**
FFS301S-50 - **R**
JBS410S
SPFINS12