


Note that, for some of the types shown here, order might be unable to be received by the MISUMI Malaysia, Indonesia and/or India offices.


# Accessory Parts

**RoHS10**

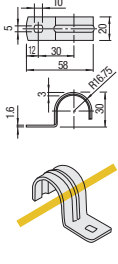


| Part Number | Material                 | Surface Treatment  |
|-------------|--------------------------|--------------------|
| JBS201      | SUS303                   | -                  |
| JBS301      | SPCC                     | Trivalent Chromate |
| FFS102      | SPHC                     | Trivalent Chromate |
| JBS306      | SPHC                     | -                  |
| JBS402      | Polychloroprene          | -                  |
| JBS403      | Styrene-butadiene Rubber | -                  |

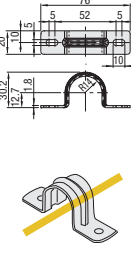
**Frame Jointing Fitting**  
**JBS201**



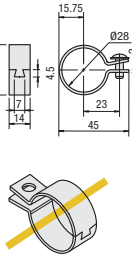
**Saddles with One Fixing**  
**JBS301** (Set of 4)



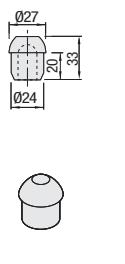
**Saddles with Two Fixings**  
**FFS102** (Set of 4)



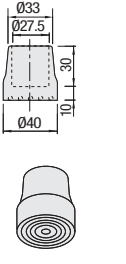
**JBS306**



**Inner Rubber Cap**  
**JBS402**



**Outer Rubber Cap**  
**JBS403**



| Part Number | Mass (g) | Unit Price |
|-------------|----------|------------|
| JBS201      | 59       |            |
| JBS301*     | 19       |            |
| FFS102*     | 24       |            |
| JBS306      | 28       |            |
| JBS402      | 15       |            |
| JBS403      | 31       |            |

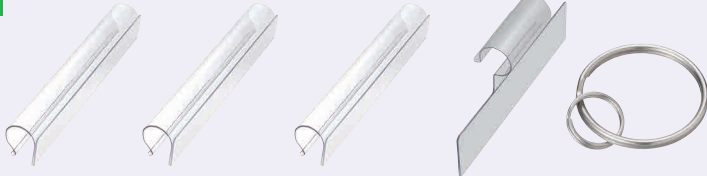


Ordering Example

Part Number  
**JBS301**

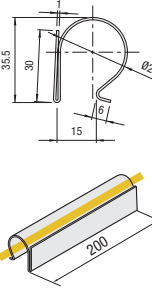
\* JBS301 and FFS102 is in set of 4 pieces.

**RoHS10**

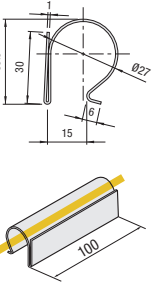


| Part Number | Material  | Surface Treatment |
|-------------|-----------|-------------------|
| JBS601      | Polyester | -                 |
| JBS601S     |           |                   |
| JBS611      |           |                   |
| JBS612      |           |                   |
| FFS106      | SS400     | Chrome Plating    |

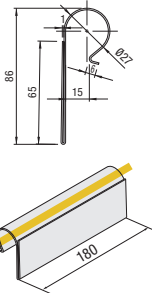
**Name Holder**  
**JBS601**



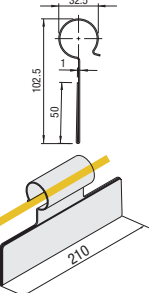
**Name Holder**  
**JBS601S**



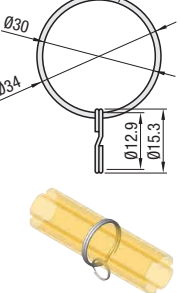
**Name Holder**  
**JBS611**



**Name Holder**  
**JBS612**



**Ring Slider**  
**FFS106** (Set of 10)



| Part Number | Mass (g/pc.) | Unit Price |
|-------------|--------------|------------|
| JBS601      | 34           |            |
| JBS601S     | 16           |            |
| JBS611      | 49           |            |
| JBS612      | 41           |            |
| FFS106      | 14           |            |



Ordering Example

Part Number  
**JBS601**



Example

