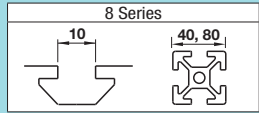



# Sheet Metal Plates

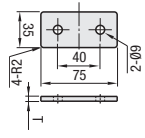
For 8 Series (Slot Width 10mm) Aluminum Extrusions




■ Features: Can be used for reinforcement of aluminum extrusions.

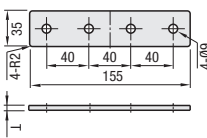



**HPTSS8  
SHPTSS8**



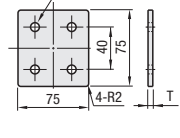


**HPTSSL8  
SHPTSSL8**






**HPTSD8  
SHPTSD8**

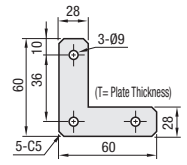


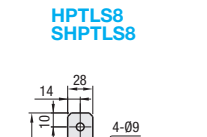
Type	Material	Surface Treatment
HPTSS8	SPHC	Trivalent Chromate
HPTSSL8		
HPTSD8		
SHPTSS8	SUS304	-
SHPTSSL8		
SHPTSD8		

Part Number	Mass (g)	T	Applicable Screw and Nut			Unit Price 1-99 pc(s).	Volume Discount Rate 100-120
			Screw	Nut	Quantity		
HPTSS8	61	3.2	M8-15	M8	2		
SHPTSS8		3					
HPTSSL8		3.2					
SHPTSSL8	122	3	M8-15	M8	4		
HPTSD8		3.2					
SHPTSD8		3					

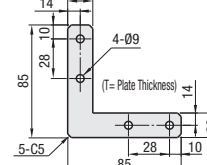


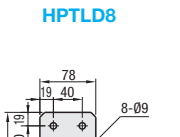
**HPTLN8  
SHPTLN8**



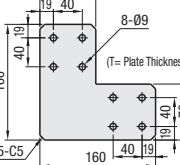


**HPTLS8  
SHPTLS8**






**HPTLD8**

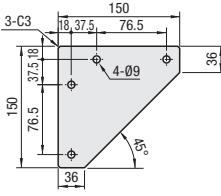


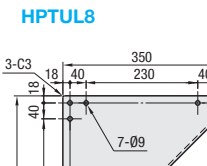
Type	Material	Surface Treatment
HPTLN8	SPHC	Trivalent Chromate
HPTLS8		
HPTLD8		
SHPTLN8	SUS304	-
SHPTLS8		
SHPTLD8		

Part Number	Mass (g)	T	Applicable Screw and Nut			Unit Price 1-99 pc(s).	Volume Discount Rate 100-120
			Screw	Nut	Quantity		
HPTLN8	50	3.2	M8-15	M8	3		
SHPTLN8		3					
HPTLS8	89	3.2	M8-15	M8	4		
SHPTLS8		3					
HPTLD8	445	3.2	8		8		

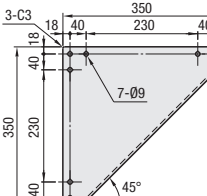


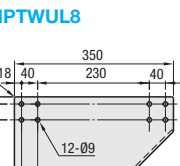
**HPTCUL8  
SHPTCUL8**



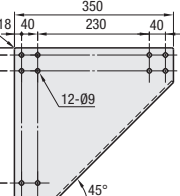


**HPTUL8**





**HPTWUL8**

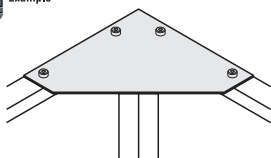


Type	Material	Surface Treatment
HPTCUL8	SPHC	Trivalent Chromate
HPTUL8		
HPTWUL8		
SHPTCUL8	SUS304	-
SHPTUL8		
SHPTWUL8		

Part Number	Mass (g)	T	Applicable Screw and Nut		Unit Price 1-99 pc(s).	Volume Discount Rate 100-120
			Screw	Nut		
HPTCUL8	360	3.2	M8-15	M8	4	
SHPTCUL8		3				
HPTUL8	1760	3.2	M8-15	M8	7	
HPTWUL8						

Ordering Example: Part Number **HPTSS8**

Example



Alterations: Part Number - (SET)  
HPTSS8 - SET

Ⓢ Not RoHS compliant when -SET is specified.

Alteration	Code	Spec.	Part Number
Applicable Screws and Nuts Set	SET	Applicable screws and nuts for mounting each plate on extrusions come in a set.  Material: Set SPHC: Screw: CBM Nut: HNTT SUS304: Screw: SCB Nut: HNTTSN	HPTSS8
			SHPTSS8
			HPTSSL8
			SHPTSSL8
			HPTSD8
			SHPTSD8
			HPTLN8
			SHPTLN8
			HPTLS8
			SHPTLS8
			HPTLD8
			HPTCUL8
			SHPTCUL8
			HPTUL8
			HPTWUL8