

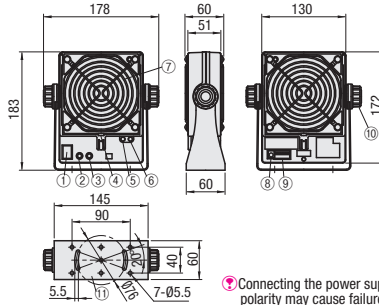
# Ionizers

## Medium Size DC Fan Type / Compact DC Fan Type / Nozzle Type

### Medium Size DC Fan Type



### ENZR-GB



- Part Name
- ① Power Switch
  - ② Error Indicator
  - ③ Cleaning Lamp
  - ④ Fan Guard Stopper
  - ⑤ Air Volume Controller
  - ⑥ Ion Balance Controller
  - ⑦ Fan Guard
  - ⑧ Power Connector (for AC Adapter)
  - ⑨ Terminal Block
  - ⑩ Angle Adjuster Knob
  - ⑪ Stand

Material Main Body Case: ABS  
Stand: SUS304  
Fan Guard: SUS304

Connecting the power supply in reversed polarity may cause failures.

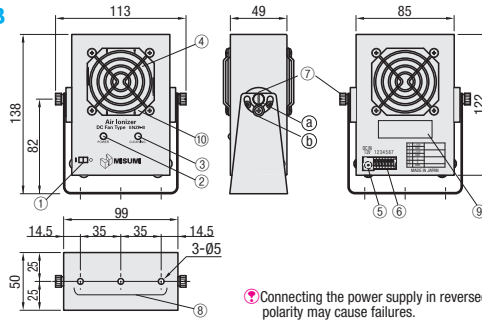
Part Number	Unit Price	Volume Discount Rate
ENZR-GB	1 pc.	2 3-5

- AC adaptors are not included. Please purchase optional ENZR-BAC.
- AC Adapter P497
- For orders larger than indicated quantity, please check with WOS.

### Compact DC Fan Type



### ENZR-B



- Part Name
- ① Power Switch
  - ② Power Lamp
  - ③ Cleaning Lamp
  - ④ Ionizing Fan
  - ⑤ Power Supply Connector (Input)
  - ⑥ Terminal Block
  - ⑦ Angle Adjuster Knob (temporary joint by a, fix by b)
  - ⑧ Mounting Holes
  - ⑨ PL Label
  - ⑩ Electrode Pin

Material Main Body Case: A5052P (Melanin Baked Paint)  
Stand: SPCC (Melanin Baked Paint)  
Fan Guard: SUS304

Connecting the power supply in reversed polarity may cause failures.

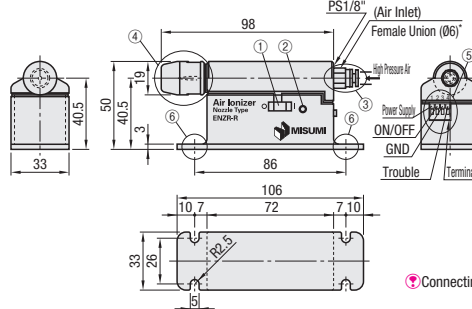
Part Number	Unit Price	Volume Discount Rate
ENZR-B	1 pc.	2 3-5

- AC adaptors are not included. Please purchase optional ENZR-BAC.
- AC Adapter P497
- For orders larger than indicated quantity, please check with WOS.

### Nozzle Type



### ENZR-R



\*Ø6 air tube can be installed.

- Part Name
- ① Power Switch
  - ② Operation-Warning Lamp
  - ③ Air Inlet
  - ④ Ion Generator (Metal Cap)
  - ⑤ Terminal Block
  - ⑥ Mounting Holes

Connecting the power supply in reversed polarity may cause failures.

Part Number	Unit Price	Volume Discount Rate
ENZR-R	1 pc.	2 3-5

- Cap can be removed and replaced with an optional nozzle attachment.
- AC adaptors are not included. Please purchase optional ENZR-RAC.
- AC Adapter P497
- Attachment P497
- For orders larger than indicated quantity, please check with WOS.

### Ionizers Specifications

	ENZR-GB	ENZR-B	ENZR-R
Ionizing Method	DC Corona Discharge	DC Corona Discharge	High Frequency Corona Discharge
Discharge Electrode Pin	Tungsten	Tungsten	-
Air Volume	Fan Speed: Non-Step Variable, Maximum Air Volume: 3.68m <sup>3</sup> /min, Wind Velocity: 1.3 ~ 4.8m/Sec (Measured Distance: 300mm)	Fan Speed: Fixed, Air Volume: 0.65m <sup>3</sup> /min, Wind Velocity: 1.31m/Sec (Measured Distance: 300mm)	Recommended Air Pressure: 0.1 ~ 0.4 MPa, Air Consumption: 55 ~ 155L/min (ANR)
Alarm Display/Output	Alarm Display Cleaning, Fan Error, Fan Guard Removed, High Voltage Halted	Alarm Output Cleaning Indicator, High Voltage Halted, Panel LED Red ON	Alarm Output Dirty Electrode, High Voltage Halted, Strain Relief Removed, Panel LED Red ON
Terminal Block	DC24V Input, DC24V Output (Connectable in series up to 5 units), Cleaning Indicator (includes High Pressure Alarm), Buzzer Output (DC24V), Error Indicator (includes Fan Guard Open Alarm), Grounding	DC24V Input, DC24V Output, Alarm Output, Grounding	DC 24V Input, Neutralization ON/OFF, Alarm Output, Grounding
Ozone Generation Amount	0.02 ppm or Less (Measured Distance 300 mm)	0.02 ppm or Less (Measured Distance 300 mm)	0.02 ppm or Less (Measured Distance 300 mm)
Environment	0 ~ 40°C, 80% RH or Less (No Condensation)	0 ~ 40°C, 80% RH or Less (No Condensation)	0 ~ 40°C, 80% RH or Less (No Condensation)
Power Input	DC24V (Dedicated AC Adaptor or Terminal Block)	DC24V (Dedicated AC Adaptor or Terminal Block)	DC24V
Consumption Current	550mA	220mA	110mA
Mass	Approx. 900g	Approx. 510g	Approx. 150g

Ordering Example Part Number ENZR-R