

Antivibration Rubber Mounts Stainless Steel Studs (Conductive Rubber, Chloroprene Rubber)

Both Ends Threaded Studs / Threaded Stud, Plate Mount

■ The problem of antivibration rubber, susceptibility to insulation has been solved by the high electroconductive rubber with volume resistivity value of $10^9 \Omega \cdot \text{cm}$.
 ■ Slots on ends and long mounting holes for ease of attachment.

Both Ends Threaded Studs

Type	Material		Hardness	Accessory
	Main Body	Metal Fitting		
DBGOMA	Conductive Nitrile Rubber	SUS304	Shore A60	Nut, Spring Washer 2 pcs. each
EBGOMA	Chloroprene Rubber	SUS304	Shore A60	Nut, Spring Washer 1 pc. each

Threaded Stud, Plate Mount

Type	Material		Hardness	Accessory
	Main Body	Metal Fitting		
DBGOMP	Conductive Nitrile Rubber	SUS304	Shore A60	Nut, Spring Washer 1 pc. each
EBGOMP	Chloroprene Rubber	SUS304	Shore A60	Nut, Spring Washer 1 pc. each

*Slot is provided to prevent rotation when tightening. Hold it with a flathead screwdriver, etc.

Part Number		D1	D2	H1	H2	t	l	S	M (Core Thread)	W1xW2	h	P	Allowable Load N {kgf}	Working Load N {kgf}	Spring Constant N/mm {kgf/cm}	X Direction Allowable Load N {kgf}	Rigidity Ratio kx/kz
Type	No.																
Both Ends Threaded Studs DBGOMA EBGOMA	12160	12	10	16	12.0		13	11	5	-	-	-	110 {11}	30~78 {3~8}	41 {42}	25 {2.5}	0.2
	15150	15	12					12					160 {16}	59~130 {6~13}	74 {75}	34 {3.4}	0.2
	20150			15	11.0	2.0							280 {29}	98~191 {10~19}	130 {130}	69 {7}	0.15
	20200	20	15		16.0			13		6	49x20	6.5x8.5 Slotted Hole	36	180 {18}	59~98 {6~10}	78 {80}	49 {5}
Threaded Stud, Plate Mount DBGOMP EBGOMP	25180	25	20	18	13.4		20	16		56x25		42	490 {50}	112~250 {11~25}	200 {200}	98 {10}	0.16
	30180	30	25	18	13.4	2.3	23	20	8	62x30		48	890 {91}	226~450 {23~46}	310 {310}	170 {17}	0.16
	40250	40	34	25	20.4		33	25		76x40	9x11 Slotted Hole	60	1810 {185}	196~930 {20~95}	340 {340}	360 {37}	0.17

Ordering Example Part Number
 Example DBGOMA15150

📌 Selection Methods, Mounting Methods, Properties, Cautions **P.460**

Part Number	Unit Price					
		Type	No.	DBGOMA	EBGOMA	DBGOMP
Both Ends Threaded Studs DBGOMA EBGOMA	12160				-	-
	15150				-	-
	20150					
	20200					
Threaded Stud, Plate Mount DBGOMP EBGOMP	25180					
	30180					
	40250					

Features

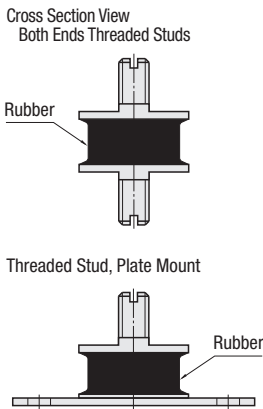
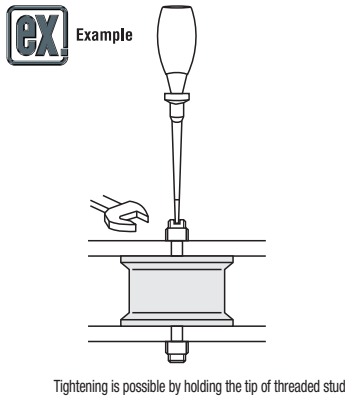
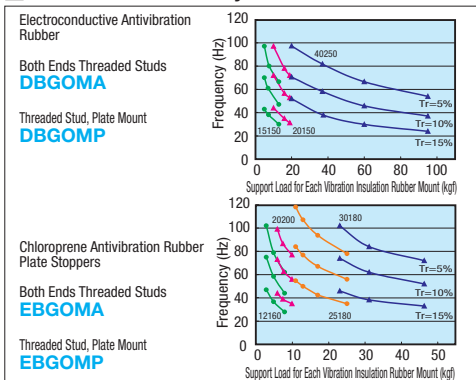
- [DBGOMA, DBGOMP, DBGONA, DBGONP]
- The problem of antivibration rubber, susceptibility to insulation has been solved by the high electroconductive rubber with volume resistivity value of $10^9 \Omega \cdot \text{cm}$.
- [EBGOMA, EBGOMP, EBGONA, EBGONP]
- High quality product made of chloroprene rubber excellent in durability
- [Common]
- Mounting studs are made of SUS304. The tips are slotted and the mounting holes on flanges are also slotted for ease of mounting.

Electroconductive Rubber Characteristics

Item	Unit	Value
Specific Gravity	-	1.31
Hardness	Shore A	60
Elongation	%	545
Tensile Strength	MPa	11.8
Specific Volume Resistivity	$\Omega \cdot \text{cm}$	8×10^3

📌 Measuring Method: JIS K 6301
 📌 The above values are not guaranteed values but an example of measured values.

Vibration Transmissibility Data



📌 Values in the graph are nominal for each type. 📌 The above values are not guaranteed values but a calculated ones.