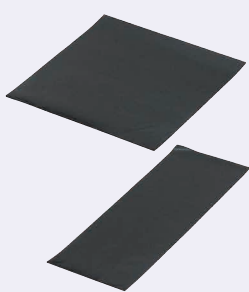


# Nonskid Rubber Sheets, Double Sided Adhesive Tape for Rubber

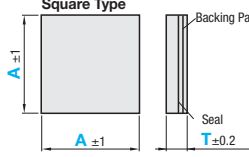
■ Nonskid rubber sheets with embossed surface that have same function as adhesive discs.

■ Nonskid Rubber Sheets

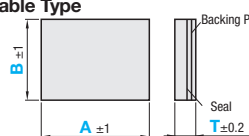


■ A Selectable Type  
STPES

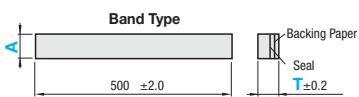
**Square Type**




■ A, B Configurable Type  
STPESF



**Band Type**



**Example**



It can be used as nonskid stopper pasted on the backside of equipments.

STPES, etc.  
Adhesive thickness is 0.06 ~ 0.10mm.  
Material: Copolymerized Foam of Acrylic, Urethane and Rubber

■ A Selectable - Square

Part Number		A Selection	Unit Price
Type	T		
STPES	1	300	
		500	

■ A Selectable - Band L Dimension is 500mm.

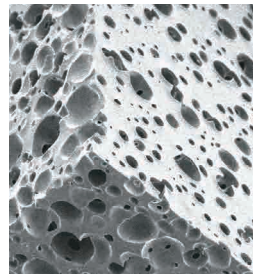
Part Number		A	Unit Price					
Type	T		A					
STPES	1	10, 20						
		30, 40						
		50, 80						
		100						

■ A, B Configurable Type

Part Number		1mm Increment		Unit Price				
Type	T	A	B	B				
STPESF	1	10-100	10-500	10-100	101-200	201-300	301-400	401-500
		101-200						
		201-300						
		301-400						
		401-500						

■ Features

Its finely embossed surface functions like a suction cup.



A≥B



Ordering Example

■ A Selectable Type

Part Number	-	A
STPES1	-	300
STPES1	-	20

■ A, B Configurable Type

Part Number	-	A	-	B
STPESF1	-	485	-	323

■ Double Sided Adhesive Tape for Rubber



RoHS 10

Part Number		W	Applicable Rubber	Base Material	Main Component	Unit Price					
Standard	Heat Resistant					Conductive	Oil Resistant	Standard	Heat Resistant	Conductive	Oil Resistant
ADTR	-	LADTR	PLADTR	20 50	Nitrile, Chloroprene, Ethylene, Butyl, Fluorine	Non-Woven Polyester Fabric	Acrylic Adhesive				
ADTS	HADTS	-	-	20 50	Silicon	Standard: Polyester Film Heat Resistant: Polyimide Film	Silicon Adhesive				

Ⓢ LADTR are in 5m rolls, others are in 10m rolls.

Ⓢ For ADTS, only the side with the white release paper (silicon bond surface) is applicable to bond to silicon rubber.

Ⓢ Double sided adhesive seals and adhesives for urethane, rubber, and sponge are also available as web page listed products.

For details, search by a Part Number at <http://fa.misumi.jp>.

Allowable Temperature: HADTS: 200°C, Others: 120°C.



Ordering Example

Part Number	-	W
ADTR	-	20

· Adhesive Test Data

180 Degree Delamination Strength Test: Bond 1mm thick, 25mm wide rubber sheet to a SUS304 plate and measured. Delamination resistance strength force is expressed as adhesive load (N). Unit: N/25mm Wide

Condition	Standard					Heat Resistant	Conductive				Oil Resistant	
	ADTR					ADTS	LADTR				PLADTR	
	Nitrile	Chloroprene	Ethylene	Butyl	Fluorine	Silicon	Silicon	Nitrile	Chloroprene	Ethylene	Butyl	
Room Temperature x20 min.	60	60	60	60	60	13	3	6	6	6	6	See P.420
Room Temperature x72 hrs.	80	80	80	80	80	15	9	9	9	9	9	
80°C x 48 hrs.	70	70	70	70	70	15	10	13	14	12	12	

Ⓢ These are not guaranteed values but an example as a set of measured values.

\* For other Adhesive Tape and Adhesives, P.489