

# Shock Absorbers

## Compact Adjustable/Fixed Type

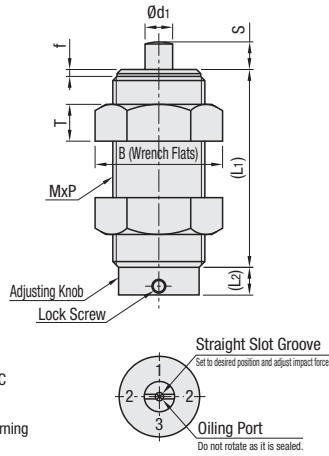
■ **Features:** More compact than conventional absorbers. Fits in limited spaces.

### ■ Compact Adjustable



RoHS10

### MAMS



- Ⓜ Operating Ambient Temperature: -5 ~ 70°C
- Ⓜ Collision Velocity Range: 0.3 ~ 1m/s
- Ⓜ Max. Operating Cycle: 60cycle/min
- Ⓜ Impact force can be easily adjusted by turning Straight Slot Groove.

Ⓜ Material: SUM  
 Ⓢ Surface Treatment: Electroless Nickel Plating

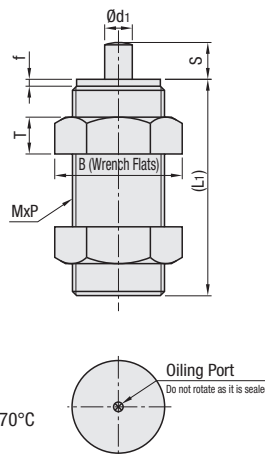
Part Number	Thread Dia.	Stroke	Max. Absorbed Energy (E')		Max. Equivalent Mass (me')(kg)	Piston Rod Return Force (N)	Max. Drag Value (N)	(L <sub>1</sub> )	(L <sub>2</sub> )	d <sub>1</sub>	f	B (Wrench Flats)	T	Unit Price	Volume Discount Rate
			per Impact (J)	per Minute (J)											
MAMS	1406	M14x1.5	6	3.5	100	80	15	2,000	41	8	4	2	19.6(17)	6	
	1606	M16x1.5		4.8	130	120	20	2,700					20(19)		
	2006	M20x1.5		7.8	200	60	16.7	3,920	43	6	8	1.5	27.7(24)	8	
	2506	M25x1.5		11.7	300	90	19.6	5,880					37(32)		
	2706	M27x1.5		15.6	350	120	22.6	7,840							

### ■ Compact Fixed Type



RoHS10

### MAMKS



- Ⓜ Operating Ambient Temperature: -5 ~ 70°C
- Ⓜ Collision Velocity Range: 0.3 ~ 1m/s
- Ⓜ Max. Operating Cycle: 60cycle/min

Ⓜ Material: SUM  
 Ⓢ Surface Treatment: Electroless Nickel Plating

Part Number	Thread Dia.	Stroke	Max. Absorbed Energy (E')		Max. Equivalent Mass (me')(kg)	Piston Rod Return Force (N)	Max. Drag Value (N)	(L <sub>1</sub> )	d <sub>1</sub>	f	B (Wrench Flats)	T	Unit Price	Volume Discount Rate
			per Impact (J)	per Minute (J)										
MAMKS	1406	M14x1.5	6	4.5	100	80	15	2,000	40	2	19.6(17)	6		
	1606	M16x1.5		5.5	130	120	20	2,700						
	2008	M20x1.5		8.8	200	70	14.7	3,430	47	8	1.5	37(32)	10	
	2508	M25x1.5		13.7	300	110	21.6	5,390						
	2708	M27x1.5		19.6	350	150	23.5	7,350						



Ordering Example

Part Number  
**MAMS2006**  
**MAMKS2508**