
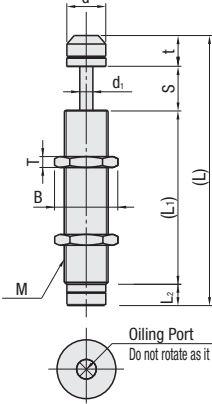


Similar Products Comparison Point | Not RoHS Compliant Replacement Interval (cycle): 700,000 cycles

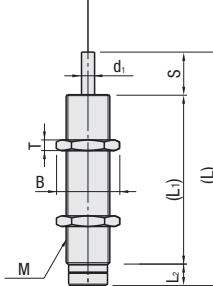
Similar product page [P.373](#)



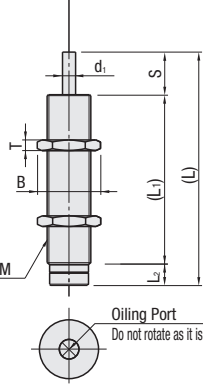
C-MAKC
(Cap)



Oiling Port
Do not rotate as it is sealed.



C-MAKS
(No Cap)



Oiling Port
Do not rotate as it is sealed.

⚠ Operating Ambient Temperature: -5 ~ 70°C

⚠ In No. 0806, 1005 and 1008, base surface is of minus slot-type.

⚠ Keep the distance between location point of the shock absorber and the Fulcrum more than 6 times of stroke of absorber to ensure that shock absorber does not put stress on the side, in case of rotational load. Also, absorbed energy is maximum when the load on the side surface is at 5° angle with the centerline of the shock absorber.

Material		Surface Treatment	
Main Body	Cap		
STKM11A	Polyurethane	Black Oxide	

Part Number		Thread Dia. M	Stroke S	Max. Absorbed Energy (E)		Max. Equivalent Mass (me) (kg)	(L)	(L-1)	L2	d	d1	t	B (Wrench Flats)	T	C-MAKC		C-MAKS		
Type	No.			Velocity	per Impact (J)										per Minute (J)	Unit Price	Volume Discount Rate	Unit Price	Volume Discount Rate
															1 - 4 pcs(s).	5 - 30	1 - 4 pcs(s).	5 - 30	
C-MAKC (Cap)	0806	L	M8 x 1.0	6	0.6	36.3	1.8	50 (44)	33	5	6.6	2.8	6	11	3				
		M					0.6												
		H					0.15												
C-MAKS (No Cap)	1005	L	M10 x 1.0	5	1.2	48	2.8	38.5 (32.5)	21.5	6	8.6	2.8	6	12.7	3				
		M					1.2												
		H					0.4												
C-MAKS (No Cap)	1008	L	M10 x 1.0	8	2.4	48	7.2	57 (51)	38	5	8.6	3	6	12.7	3				
		M					2.4												
		H					1.2												
C-MAKS (No Cap)	1210	L	M12 x 1.0	10	3	42.9	18	69.4 (60.2)	45.5	5.7	9.5	3	9.2	14	4				
		M					6												
C-MAKS (No Cap)	1412	L	M14 x 1.5	12	9	161.6	60	100 (88)	67	9	11.8	4	12	19	6				
		M					30												
C-MAKS (No Cap)	2020	L	M20 x 1.5	20	24	280	420	145.8 (130)	101	9	18	6	15.8	26	8				
		M					120												

⚠ L dimension values in () are for C-MAKS.

Collision Velocity Type	Max. Collision Velocity	Operating Ambient Temperature	Replacement Interval
Low Speed L	~0.8m/s	-5~70°C	700,000 cycles
Medium Speed M	~1.5m/s		
High Speed H	~3m/s		



Ordering Example

Part Number
C-MAKC1210L

- ⚠ In No.0806, maximum collision velocity for L type is 0.5m/s, for M type it is 1.0m/s, and for H type it is 2.0m/s.
- ⚠ In No.2020, maximum collision velocity for L type is 1.0m/s, and for M type it is 2.0m/s.

ex Example

