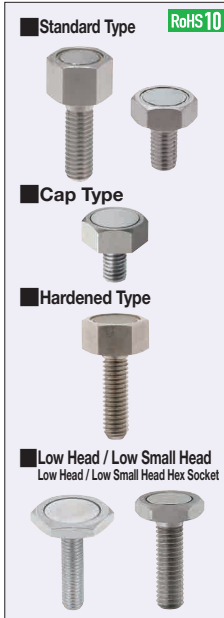
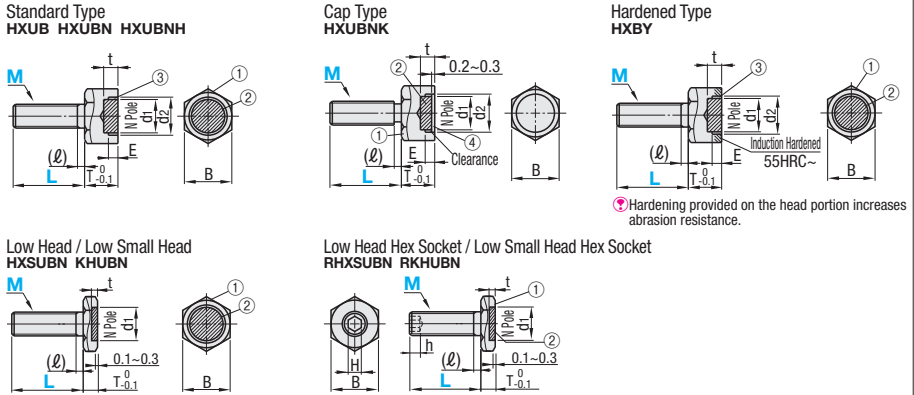


# Hex Head Bolts with Magnets



Type							①	②	③	④	Heat Resistant Temperature	
Standard	Cap	Hardened	Low Head Hex Socket	Low Small Head Hex Socket	Low Small Head Hex Socket	Material	Surface Treatment	Material	Surface Treatment	Material		
HXUB	-	-	-	-	-	SUM24L	Electroless Nickel Plating	Samarium-Cobalt Magnet	-	-	-	80°C
HXUBN	HXUBNK	-	HXSUBN	RHSUBN	KHUBN	RKHUBN	-	Neodymium Magnet	-	-	-	-
HXUBNH	-	-	-	-	-	-	-	Heat-resistant Neodymium Magnet	Nickel Plating	* Brass (C3604BD)	SUS430	150°C
-	-	HXBY	-	-	-	S45C	-	Neodymium Magnet	-	-	-	80°C

\* Brass is not included in Cap, Low Head and Low Small Head Type. Included in Standard and Hardened Type.



Ⓜ Hardening provided on the head portion increases abrasion resistance.

Part Number	Type	M (Coarse)	L (Selection)	B	T	(L)	d1	d2	t	e	H	h	Attraction Force N [kgf]		Surface Magnetic Flux Density Gauss [G]		
													Samarium-Cobalt Magnet		Neodymium Magnet Heat-resisting Neodymium Magnet		
													Samarium-Cobalt Magnet	Neodymium Magnet Heat-resisting Neodymium Magnet	Samarium-Cobalt Magnet	Neodymium Magnet Heat-resisting Neodymium Magnet	
HXUB HXUBN		3 10	4 10 15	7 5	1.2 4	5 5	6 5	6 2	2 2					2.9 (0.3)	3.9 (0.4)	2100~2600	2700~3000
														3.9 (0.4)	6.8 (0.7)	2500~2900	3000~3500
														10.8 (1.1)	16.7 (1.7)	2700~2900	3600~3900
														27.5 (2.8)	39.2 (4.0)	2800~3100	3800~4200
														47.1 (4.8)	83.4 (8.5)	2900~3300	3800~4200
														88.3 (9.0)	140.2 (14.3)	2900~3400	4000~4400
HXUBNH		4 10	5 10	8 6	1.5 5	6 2	2 2	2 2						6.8 (0.7)	-	3000~3500	3000~3500
														16.7 (1.7)	-	3600~3900	3600~3900
														39.2 (4.0)	-	3800~4200	3800~4200
(Cap Type) HXUBNK		4 10	5 10	8 6	1.5 5	6 2	2 2	2 2						4.0 (0.4)	-	3000~3200	3000~3200
														10.0 (1.0)	-	3100~3300	3100~3300
														23.5 (2.4)	-	3100~3300	3100~3300
														50.1 (5.1)	-	3500~3700	3500~3700
(Hardened Type) HXBY		4 10	5 10 15	8 6	1.5 5	6 2	2 2	2 2						6.8 (0.7)	-	3000~3500	3000~3500
														16.7 (1.7)	-	3600~3900	3600~3900
														39.2 (4.0)	-	3800~4200	3800~4200
														83.4 (8.5)	-	3800~4200	3800~4200
(Low Head Type) HXSUBN (Low Small Hex Socket) RHSUBN		4 10	5 10 15 20	14 3	1 10	1 10	1 10	1 10	2 2.2	2 2.2				32.1 (3.3)	-	1700~1900	1700~1900
														49.0 (5.0)	-	2400~2600	2400~2600
														78.4 (8.0)	-	2600~2800	2600~2800
														117.7 (12.0)	-	2800~3100	2800~3100
														176.5 (18.0)	-	2800~3100	2800~3100
(Low Small Head) KHUBN (Low Small Head Hex Socket) RKHUBN		4 10	5 10 15	8 3	1 5	1 5	1 5	1 5	2 2.2	2 2.2				3.6 (0.4)	-	2000~2200	2000~2200
														10.2 (1.1)	-	2500~2700	2500~2700
														25.6 (2.6)	-	2300~2500	2300~2500

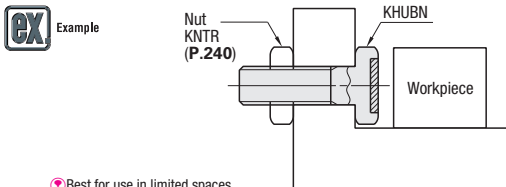
Ⓜ Sizes in ( ) are not applicable for RHSUBN.

Ⓜ Attraction force and surface magnetic flux density are for reference only.

M	Unit Price								
	Standard		Cap	Hardened	Low Head	Low Head Hex Socket	Low Small Head	Low Small Head Hex Socket	
	HXUB	HXUBN	HXUBNH	HXUBNK	HXBY	HXSUBN	RHSUBN	KHUBN	RKHUBN
3									
4									
5									
6									
8									
10									

Part Number - L  
HXUB5 - 15

Alterations Part Number - L - (NC)  
HXUB5 - 15 - NC



Alteration	Code	Spec.
Relief	NC	Adds a relief to under head portion. Ⓜ Applicable for only Standard Type HXUB, HXUBN and HXUBNH. [Ordering Code] NC