


Grease Fittings / Hardened Precision Balls

Grease Fittings



RoHS10

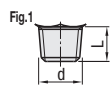



Fig. 1 shows the thread shape of GPA1.

Type	Material	Surface Treatment
GPA	Material: Free-Cutting Brass (C3604 BD)	Nickel Plating
GPAS	SUS303 Equivalent	-

GPB



RoHS10

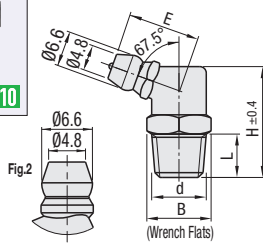



Fig. 2 shows the nipple base shape of GPB6 and GPB6A.

Type	Material	Surface Treatment
GPB	Material: Free-Cutting Brass (C3604 BD)	Nickel Plating

GPC



RoHS10

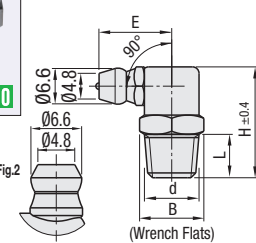


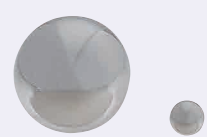
Fig. 2 shows the nipple base shape of GPC6 and GPC6A.

Type	Material	Surface Treatment
GPC	Material: Free-Cutting Brass (C3604 BD)	Nickel Plating

Part Number		d	H	L	E	B	GPA, GPB, GPC		GPAS	
							Unit Price	Volume Discount Rate	Unit Price	Volume Discount Rate
Type	No.						1 ~ 99 pc(s).	100 ~ 500 pcs.	1 ~ 99 pc(s).	100 ~ 200 pcs.
GPA GPAS	6	M6xP0.75	13.5	5	-	7				
	6A	M6xP1.0	13.5	5	-	7				
	1	R(PT)1/8	20	9	-	10				
	2	R(PT)1/4	25	12	-	14				
GPB	6	M6xP0.75	16.5	5	10	8			-	-
	6A	M6xP1.0	16.5	5	10	8			-	-
	1	R(PT)1/8	21.5	8	12.5	10			-	-
	2	R(PT)1/4	25	11	14.2	14			-	-
GPC	6	M6xP0.75	17.5	5	10.2	8			-	-
	6A	M6xP1.0	17.5	5	10.2	8			-	-
	1	R(PT)1/8	21.5	8	12.5	10			-	-
	2	R(PT)1/4	25	11	14.2	14			-	-

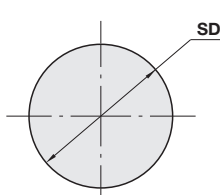
For orders larger than indicated quantity, please check with WOS.

Hardened Precision Balls



RoHS10

BLIJ (Inch)
BLIS (Inch)
BLMJ (mm)
BLMS (mm)



* Class 28 Standards (JIS-B1501) μm

Diameter Deviation	max.	0.7
Sphericity	max.	0.7
Surface Roughness	max.	0.05
Diameter Size Variation of the Lot	max.	1.4

Type	Dimension	Material	Class	Hardness	Standards
BLIJ	Inch	SUJ2	28	61~67HRC	JIS B1501
BLIS	Inch	SUS440C		59~66HRC	In accordance with JIS-B1501
BLMJ	mm	SUJ2		61~67HRC	JIS B1501
BLMS	mm	SUS440C		59~66HRC	In accordance with JIS-B1501

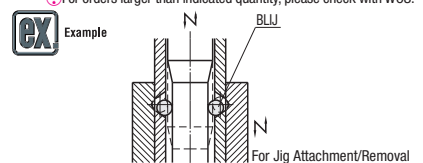
Inch Standards Type

Part Number	SD (Inch)	BLIJ		BLIS			
		Unit Price	Volume Discount Rate	Unit Price	Volume Discount Rate		
Type	No.	1 - 49 pc(s).	50 - 99 pcs.	100 - 1000 pcs.	1 - 49 pc(s).	50 - 99 pcs.	100 - 1000 pcs.
BLIJ BLIS	8	1/8					
	10	5/32					
	12	3/16					
	14	7/32					
	15	15/64					
	16	1/4					
	17	17/64					
	18	9/32					
	20	5/16					
	22	11/32					
	24	3/8					
	26	13/32					

Metric Standards Type

Part Number	SD (mm)	BLMJ		BLMS			
		Unit Price	Volume Discount Rate	Unit Price	Volume Discount Rate		
Type	No.	1 - 49 pc(s).	50 - 99 pcs.	100 - 1000 pcs.	1 - 49 pc(s).	50 - 99 pcs.	100 - 1000 pcs.
BLMJ BLMS	3	3					
	3.5	3.5					
	4	4					
	4.5	4.5					
	5	5					
	6	6					
	8	8					

For orders larger than indicated quantity, please check with WOS.



Ordering Example
Part Number
 GPA6A
 BLIJ16
 BLMS3