


# Dowel Pins / General Purpose Pins

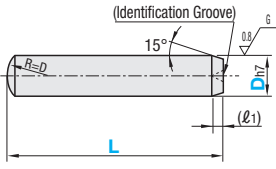
## Undersized

**■ Dowel Pin - Straight (h7)**



**RoHS10**

Type	Material	Hardness
<b>MSH</b>	SUS440C or 13Cr stainless	45~50HRC
<b>MSHS</b>	SUS304	-



(Identification Groove)

① The identification groove is available for MSH only.  
 ② Ø1.5 or smaller pins have no identification groove.  
 ③ L dimension may become larger than the value shown in the catalog due to polishing process.


L1	Dh7	Part Number		L	Unit Price	Volume Discount Rate		
		Type	D			1 ~ 9 pc(s)	10~49	50~99
0.4	0	MSH	1	5 6 8 10				
				1.5 5 6 8 10				
0.6	-0.01		2	5 6 8 10 12 15 20				
			2.5	6 8 10 12 15 20 25 30				
1	0		3	6 8 10 12 15 20 25 30 35 40				
			4	8 10 12 15 20 25 30 35 40 45 50				
1.5	-0.012		5	8 10 12 15 20 25 30 35 40 45 50				
			6	8 10 12 15 20 25 30 35 40 45 50 55 60				
2	0		8	10 15 20 25 30 35 40 50 60				
			10	15 20 25 30 35 40 50 60				
2.5	-0.015							

④ For orders larger than indicated quantity, please check with WOS.

L1	Dh7	Part Number		L	Unit Price	Volume Discount Rate		
		Type	D			1 ~ 9 pc(s)	10~49	50~99
0.4	0	MSHS	1	5 6 8 10				
				1.5 5 6 8 10				
0.6	-0.01		2	5 6 8 10 12 15 18 20				
			2.5	6 8 10 12 15				
1	0		3	6 8 10 12 15 18 20				
			4	8 10 12 15 18 20				
1.5	-0.012		5	8 10 12 15 18 20				
			6	10 12 15 18 20				
2	0		8	15 18 20				


④ For orders larger than indicated quantity, please check with WOS.

**■ Dowel Pins - Chamfered**

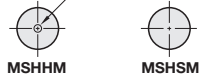


**RoHS10**

Type	Material	Hardness
<b>MSHHM</b>	SUS440C	58HRC~
<b>MSHSM</b>	SUS304	-



(Identification Mark)



C	Dh7	Part Number		L	Unit Price	Volume Discount Rate		
		Type	D			1 ~ 19 pc(s)	20~29	30~49
0.3 or Less	0	MSHHM	2	6 8 10 12 15				
				3				
0.5	-0.012		4	8 10 12 15 20				
			5	8 10 12 15 20				
0.5	0		6	10 12 15 20				
			8	15 20				
	-0.015							

④ For orders larger than indicated quantity, please check with WOS.

C	Dh7	Part Number		L	Unit Price	Volume Discount Rate		
		Type	D			1 ~ 19 pc(s)	20~29	30~49
0.3 or Less	0	MSHSM	2	6 8 10 12 15				
				3				
0.5	-0.012		4	8 10 12 15 20				
			5	8 10 12 15 20				
0.5	0		6	10 12 15 20				
			8	15 20				
	-0.015							

④ For orders larger than indicated quantity, please check with WOS.