
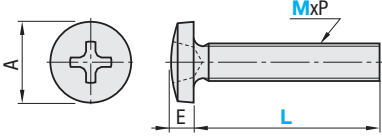


Phillips Binding Head Screws



Type	Material	Surface Treatment
BDJ	SWCH Equivalent	Trivalent Chromate
BDJS	SUS304 Equivalent	-

MxP (Coarse)	A	E	Phillips No.
3x0.5	6.3	1.9	2
4x0.7	8.3	2.5	2
5x0.8	10.3	3.1	2
6x1.0	12.4	3.7	3



RoHS10

BDJ (Trivalent Chromate)

Part Number		Unit Price				Volume Discount Rate			
Type	M - L	1 ~ 9 pc(s)	10 ~ 29 pcs	30 ~ 49 pcs	50 ~ 500 pcs				
BDJ	3 - 5								
	6								
	8								
	10								
	12								
	15	-	-	-	-				
	20								
	4 - 6								
	8								
	10								
	12								
	15	-	-	-	-				
	20								
	25	-	-	-	-				
	30								
	5 - 8								
	10								
	12								
	15								
	20	-	-	-	-				
25									
30									
6 - 10									
12									
15									
20	-	-	-	-					
25									
30									

BDJS (Stainless Steel)

Part Number		Unit Price				Volume Discount Rate			
Type	M - L	1 ~ 9 pc(s)	10 ~ 29 pcs	30 ~ 49 pcs	50 ~ 500 pcs				
BDJS	3 - 5								
	6								
	8								
	10								
	12								
	15								
	20								
	4 - 6								
	8								
	10								
	12								
	15								
	20								
	25								
	30								
	5 - 8								
	10								
	12								
	15								
	20								
25									
30									
6 - 10									
12									
15									
20									
25									
30									



Ordering Example

Part Number
BDJ5-10