
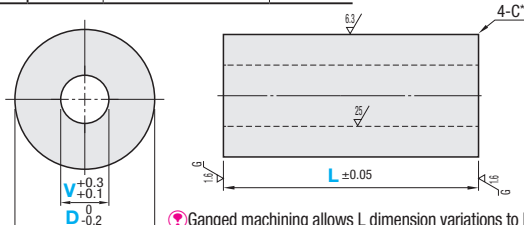


# Simultaneous Grinding Spacers



Type	Material	Surface Treatment	Hardness
DWSSB	S45C	Black Oxide	-
DWSSM	Equivalent	Electroless Nickel Plating	
DWSSS	SUS304	-	55HRC~
DWSSKB	SKS3	Black Oxide	
DWSSKM	Equivalent	Electroless Nickel Plating	

\* D=16 or Less: C0.1 ~ 0.2  
D=20 or More: C0.5 or Less



⚠ Ganged machining allows L dimension variations to be within ±5 micro meters per order.  
⚠ Please order 2 or more pieces.

RoHS10

Part Number	D 0.5mm Increment	V 0.5mm Increment (V3 or More)	L		Simultaneous Grinding Maximum Quantity	Unit Price				
			Machining Conditions	0.1mm Increment		DWSSB	DWSSM	DWSSS	DWSSKB	DWSSKM
DWSSB DWSSM DWSSS DWSSKB DWSSKM	4.0~10.0	0 2 2.6 3.0~8.0	L≤40 ⇒D-V≥2 40.1≤L≤50 ⇒D-V≥4	1.0~ 5.0	100 pcs.					
				5.1~ 10.0						
				10.1~ 25.0						
				25.1~ 40.0						
				40.1~ 50.0						
				1.0~ 5.0						
	10.5~15.5	0 2 2.6 3.0~13.5	L≤40 ⇒D-V≥2 40.1≤L≤80 ⇒D-V≥4 80.1≤L≤100 ⇒D-V≥6	5.1~ 10.0						
				10.1~ 25.0						
				25.1~ 40.0						
				40.1~ 55.0						
				55.1~ 70.0						
				70.1~ 85.0						
	16.0~20.0	0 2 2.6 3.0~18.0	L≤40 ⇒D-V≥2 40.1≤L≤80 ⇒D-V≥4 80.1≤L≤100 ⇒D-V≥6	85.1~ 100.0						
				1.0~ 20.0						
				20.1~ 30.0						
				30.1~ 40.0						
				40.1~ 50.0						
				50.1~ 60.0						
20.5~30.0	0 2 2.6 3.0~28.0	L≤50 ⇒D-V≥2 50.1≤L≤100 ⇒D-V≥6	60.1~ 70.0							
			70.1~ 80.0							
			80.1~ 90.0							
			90.1~ 100.0							
			1.0~ 20.0							
			20.1~ 30.0							
30.5~39.5	0 2 2.6 3.0~37.5	L≤50 ⇒D-V≥2 50.1≤L≤100 ⇒D-V≥6	30.1~ 40.0							
			40.1~ 50.0							
			50.1~ 60.0							
			60.1~ 70.0							
			70.1~ 80.0							
			80.1~ 90.0							
40.0~50.0	0 2 2.6 3.0~48.0	L≤50 ⇒D-V≥2 50.1≤L≤100 ⇒D-V≥6	90.1~ 100.0							
			1.0~ 20.0							
			20.1~ 30.0							
			30.1~ 40.0							
			40.1~ 50.0							
			50.1~ 60.0							

⚠ Common Machining Conditions: ① L≤Vx8 ② DWSSS(SUS304)⇒L≥2 
 ⚠ Please order 2 or more pieces. 
 ⚠ No specification available for sizes without declaration of value.

Part Number - **D** - **V** - **L**  
 DWSSS - D35.5 - V12.5 - L58.4