
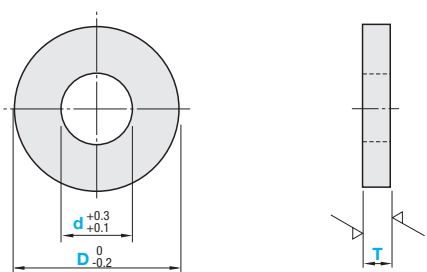


Metal Washers Washers (Bulk Packages)

■ Have larger O.D. and are thicker compared to standard washers. As these washers are press finished, they are cheaper than the washers made by cutting.



Type	Material	Surface Treatment
PACK-PWTB	SPCC	Black Oxide
PACK-PWTM		Electroless Nickel Plating



T Dimension Tolerance	
T Dimension	Tolerance
1	±0.08
2	±0.13
3	±0.15

Part Number		D	T	Unit Price								Pieces in 1 pack
				PACK-PWTB				PACK-PWTM				
				1~4		5~10		1~4		5~10		
Type	d			Price per 1 pc.	1 Pack	Price per 1 pc.	1 Pack	Price per 1 pc.	1 Pack	Price per 1 pc.	1 Pack	
PACK-PWTB PACK-PWTM	3	10	1 2									100 pcs.
	4	10 12	2 3									100 pcs.
	5	12	2 3									100 pcs.
		15	2 3									100 pcs.
	6	20	3									50 pcs.
	8	20	3									50 pcs.
10	20	3									50 pcs.	

Ⓜ Sold by the package only



Ordering Example

Part Number - D - T
 PACK-PWTB3 - 10 - 1



Example

■ Use when screw holes are large.

O.D. is larger as compared to standard washers, and grasping area is larger and hence can be fixed firmly.

Using Standard Washers



Using Metal Washers

