

Note that, for some of the types shown here, order might be unable to be received by the MISUMI Malaysia, and/or Indonesia offices.



# Contact Probes, Receptacles

## Minimum Mounting Pitch 1.91mm Series

Compared to Similar Products 7.1% Off Max.

Similar Component Page P.1927

Comparison Points with Similar Products | Replacement Cycle (Reference) : 200,000 times Convenient package sale is available at a low price.

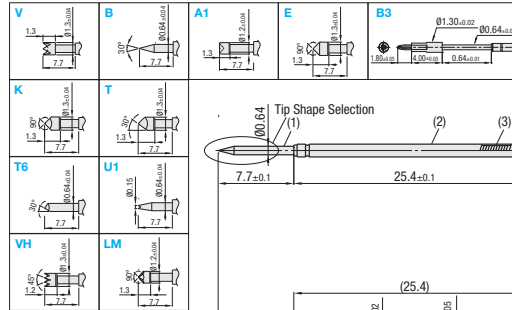
### Contact Probe Sold by the package(50 pcs./pkg.)



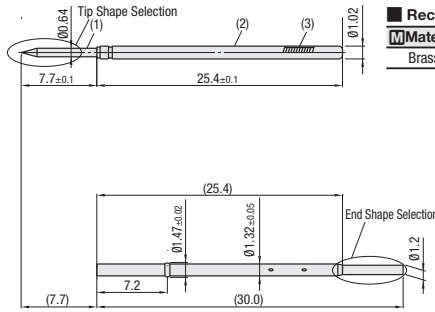
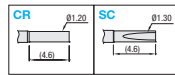
### Receptacle Sold by the package (50 pcs./pkg.)



#### NPE75 : Contact Probe



#### NRE75 : Receptacle



#### Contact Probes

Part	M Material	S Surface Treatment
(1) Plunger	BeCu	Gold Plating on Nickel Undercoat
(2) Barrel	Phosphor Bronze	Gold Plating on Nickel Undercoat
(3) Spring	SWP-A	Gold Plating on Nickel Undercoat

#### Receptacles

M Material	S Surface Treatment
Brass	Gold Plating on Nickel Undercoat

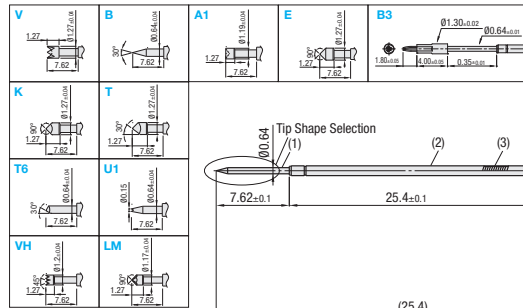
### Contact Probe Sold by the package (50 pcs./pkg.)



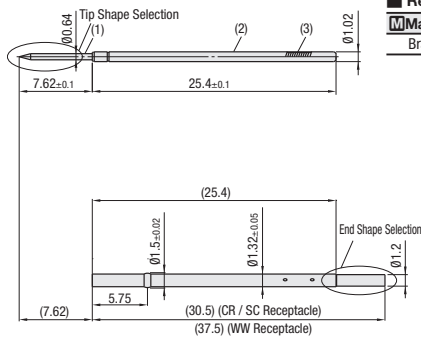
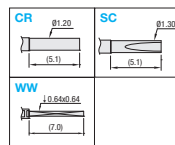
### Receptacle Sold by the package (50 pcs./pkg.)



#### NPQ75 : Contact Probe



#### NRQ75 : Receptacle



#### Contact Probes

Part	M Material	S Surface Treatment
(1) Plunger	BeCu	Gold Plating on Nickel Undercoat
(2) Barrel	Phosphor Bronze	Gold Plating on Nickel Undercoat
(3) Spring	SWP-A	Gold Plating on Nickel Undercoat

#### Receptacles

M Material	S Surface Treatment
Brass	Gold Plating on Nickel Undercoat

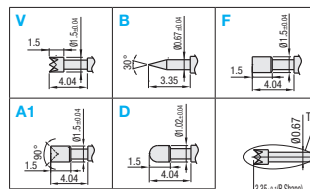
### Contact Probe Sold by the package (50 pcs./pkg.)



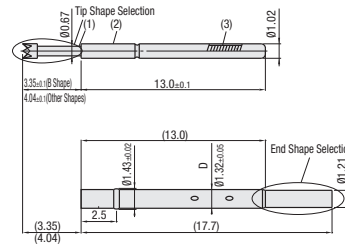
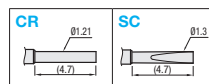
### Receptacle Sold by the package (50 pcs./pkg.)



#### NPT1 : Contact Probe



#### NRT1 : Receptacle



#### Contact Probes

Part	M Material	S Surface Treatment
(1) Plunger	SK4	Gold Plating on Nickel Undercoat
(2) Barrel	Brass	Gold Plating on Nickel Undercoat
(3) Spring	SUS304	-

#### Receptacles

M Material	S Surface Treatment
Brass	Gold Plating on Nickel Undercoat

#### Contact Probes

Part Number	Tip Shape	Mounting Pitch (mm)	Full Stroke	Spring Pressure 2/3 Stroke	Allowable Current	Resistance	Replacement Cycle (Reference)	Unit Price (50 pcs./pkg.)	Tip Shape Price (Unit Price)-			
									VH	L	M	B3
NPE75	V, B, A1, E, K, T	1.91mm	6.4mm	203gf	3.0A	40mΩ	200,000 times					
NPQ75	T6, U1, VH, LM, B3		6.35mm	198gf	3.0A	50mΩ	200,000 times					
NPT1	V, B, A1, D, F		2.54mm	113gf	3.0A	50mΩ	200,000 times					

#### Receptacle

Part Number	Tip Shape	Matching Contact Probe	Mounting Hole for Press-Fitting (Dimension Reference)	Unit Price (50 pcs./pkg.)
NRE75	CR, SC	NPE75	01.35mm	
NRQ75	CR, SC, WW	NPQ75	01.35mm	
NRT1	CR, SC	NPT1	01.35mm	



Ordering Example

Part Number - Tip (End) Shape  
 NPE75 - E  
 NPQ75 - SC