


Sprockets for Block Chains / Corner Discs

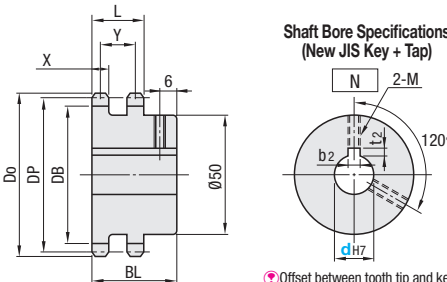
■ **Features:** Sprockets for 2-row Block Chains and Side Flexing Chains. Can be used for return transfer.

■ **Sprockets for Block Chains**



RoHS10

CHEES



Shaft Bore Specifications
(New JIS Key + Tap)

⚠️ Offset between tooth tip and keyway is ±0.5mm.

| Shaft Bore Dia. D | Keyway b×t×z | Set Screw M |
|-------------------|--------------|-------------|
| 20 | 6x2.8 | 6 |
| 25 | 8x3.3 | 8 |
| 30 | 8x3.3 | 8 |

| Type | Material | Surface Treatment |
|--------|----------|-------------------------|
| CHEES | S45C | Bright Chromate Plating |
| CHEESS | SUS304 | - |
| CHEER | S45C | Bright Chromate Plating |
| CHEERS | SUS304 | - |

⚠️ Set Screw


| Part Number Type | dh7 | Number of Teeth | Do | Dp | Root Dia. DB | L | BL | X | Y | Reference Mass(kg) | Applicable Chain | Unit Price | |
|---|-----|-----------------|----|-------|--------------|------|------|---|------|--------------------|--|------------|-----------------|
| | | | | | | | | | | | | Steel | Stainless Steel |
| Steel CHEES Stainless Steel CHEESS | 20 | 16 | 68 | 65.1 | 57.15 | 21.4 | 35 | 7 | 14.4 | 0.6 | CHER □ 40W CHEA □ 40W CHEF □ 40W (P.1579 ~ 1580) CHEET □ 40W (P.1584) | | |
| | 25 | | | | | | | | | | | | |
| | 30 | | | | | | | | | | | | |
| Steel CHEER Stainless Steel CHEERS | 20 | 16 | 95 | 85.61 | 73.7 | 37 | 57.3 | 7 | 30 | 1.3 | CHEC □ 60 CHECA60 CHEAC □ 60 CHEFR □ 60 (P.1581 ~ 1582) | | |
| | 25 | | | | | | | | | | | | |
| | 30 | | | | | | | | | | | | |

Ordering Example

Part Number **CHEES20**

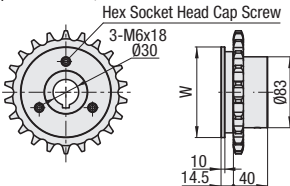
■ **Features:** Use at the corner of Side Flexing Chains.

■ **Corner Discs**

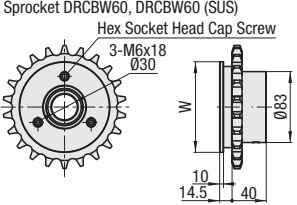


RoHS10

CDTR Sprocket SP60B, SSP60B



Sprocket DRCB60, DRCB60 (SUS)



| Type | Material Main Body |
|------|--------------------|
| CDTR | Polycetal |

■ **Accessory**

| Sprocket Set | Sprockets | | Hex Socket Head Cap Screw | |
|--------------|--|-------------------|---------------------------|--------------------|
| | Material | Surface Treatment | Material | Surface Treatment |
| SET1 | S45C Equivalent (Induction Hardened Teeth Tip) | - | SCM435 | Trivalent Chromate |
| SET3 | - | Black Oxide | - | - |
| SET2 | SUS304 Equivalent | - | SUS304 Equivalent | - |
| SET4 | - | - | - | - |

⚠️ Use in combination with Side Flexing Chains (P. 1581, 1582)

| Part Number Type | R | Sprocket Type | Corner Disc W | Sprocket | | Unit Price |
|------------------|----|---------------|---------------|-----------------|------------------|------------|
| | | | | Part No. | Catalog Page No. | |
| CDTR | 67 | SET1 | 106.1 | SP60B22-N-30 | P.1596 | |
| | | SET2 | | SSP60B22-N-30 | P.1600 | |
| | | SET3 | | DRCB60-22 | P.1603 | |
| | | SET4 | | DRCB60-30 (SUS) | | |
| | 91 | SET1 | 154.7 | SP60B30-N-35 | P.1596 | |
| | | SET2 | | SSP60B30-N-35 | P.1600 | |
| | | SET3 | | DRCB60-30 | P.1603 | |
| | | SET4 | | DRCB60-30 (SUS) | | |

Ordering Example

Part Number **CDTR** - R **67** - Sprocket Type **SET1**