


Spur Gear

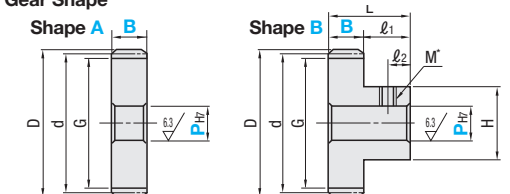
Pressure Angle 20°, Module 3.0, Shaft Bore Configurable Type



Type		Material	Surface Treatment	Accessory
Straight Bore	Keyway, Keyway + Tap			
GEAHB	GEAKB	S45C Equivalent	-	Set Screw (SCM435, Black Oxide)
GEAHBB	GEAKBB		Black Oxide	
GEAHBG	GEAKBG		Electroless Nickel Plating	
GEAHS	GEAKS	SUS304	-	Set Screw (SUS304)

⚠ Set Screw is not included in Un-tapped Type products.

Gear Shape



Shaft Bore Specifications (Selectable Gear Shapes)

Straight Bore (Shape A, Shape B)	Keyway (Shape A)	Keyway + Tap (Shape B)

⚠ For Tap, Keyway Dimension Details, see **P1532**.
⚠ Positioning of keyway and teeth is not fixed.

Accuracy Previous JIS B 1702 Class 4 (New JIS B 1702-1 Class 8 Equivalent)

When desiring to fix the gear hub onto the shaft through MechaLock, see Keyless Type on **P1557**. For configuring the tooth width / hub dimensions, see **P1511**.

Part Number	Number of Teeth	B	Gear Shape	Shaft Bore Dia. PH7 (1mm Increment)		d Reference Dia.	D Tip Dia.	G Root Dia.	H	L	ℓ ₁	ℓ ₂	M (Coarse)	*1 Allowable Transmission Force (N + m) Bending Strength	
				Straight Bore	Keyway Keyway + Tap									S45C Equivalent	SUS304
Straight Bore (Shape A, Shape B) GEAHB GEAHBB GEAHBG	12	3	A	8~17	8N~12N	36	42	28.5	27	48	18	9	M5	66.66	38.04
	14			8~22	8N~16N	42	48	34.5	32					86.33	49.27
	15			8~24	8N~19N	45	51	37.5	35					96.7	55.18
	16			8~28	8N~23N	48	54	40.5	40					107.1	61.12
	17					51	57	43.5	40					117.74	67.19
	18			8~32	8N~27N	54	60	46.5	44					128.5	73.33
	19			8~33	8N~28N	57	63	49.5	45					139.28	79.48
	20			8~38	8N~33N	60	66	52.5	50					150.49	85.88
	21			8~40	8N~35N	63	69	55.5	52					161.57	92.2
	22			8~42	8N~36N	66	72	58.5	54					173.02	98.74
	23			8~44	8N~37N	69	75	61.5	56					184.17	105.09
	24			8~46	8N~39N	72	78	64.5	58					195.6	111.62
	25			8~48	8N~40N	75	81	67.5	60					207.33	118.31
	26			10~53	10N~44N	78	84	70.5	65					219.36	125.18
	27			10~58	10N~47N	81	87	73.5	70					230.8	131.71
	28					84	90	76.5	70					243.41	138.9
	29			10~60	10N~50N	87	93	79.5	75					254.32	145.13
	30					90	96	82.5	75					266.4	152.02
	32			12~63	12N~50N	96	102	88.5	80					288.88	164.85
	34					102	108	94.5	80					315.62	180.11
	35			12~65	12N~50N	105	111	97.5	80					327.41	186.84
	36					108	114	100.5	80					337.93	192.84
	38			20~65	20N~50N	114	120	106.5	85					363.48	207.42
	40					120	126	112.5	85					386.49	220.55
	42			25~68	25N~50N	126	132	118.5	85					411.47	234.81
	44					132	138	124.5	85					436.93	249.34
	45			25~68	25N~50N	135	141	127.5	85					449.84	256.7
	46					138	144	130.5	85					462.87	264.14
	48			25~68	25N~50N	144	150	136.5	85					487.2	278.02
	50					150	156	142.5	85					511.77	292.04
	52			25~68	25N~50N	156	162	148.5	85					536.6	306.21
	54					162	168	154.5	85					561.67	320.52
	55			25~68	25N~50N	165	171	157.5	85					575.63	328.44
	56					168	174	160.5	85					589.57	336.44
	58			25~68	25N~50N	174	180	166.5	85					612.58	349.57
60	180	186	172.5			85	638.4	364.31							
*62	25~70	25N~50N	186	192	178.5	90	661.55	-							
*64			192	198	184.5	90	529.05	-							
*66	25~70	25N~50N	195	201	187.5	90	538	-							
*68			204	210	196.5	90	569.95	-							
*70	210	216	202.5	90	588.06	-									

⚠ * marked number of teeth is not available for GEAHS, GEAKS. ⚠ The "-" text on the above table means that any Shaft Bore Dia. is not selectable.

⚠ Shaft bore diameter 9N is not available for Keyway Bore + Tap.

⚠ Specify 10K as the P dimension if keyway width of 4.0mm (height 1.8mm) for Keyway + Tap with shaft bore diameter of 10 is desired **P1532**.

*1. Allowable Transmission Forces in the table are reference values calculated with prescribed conditions. For conditions, see **P1534**.

Ordering Example	Part Number	Number of Teeth	B	Gears Shape	P
	GEAHB3.0	15	30	B	8
	GEAKBG3.0	30	30	A	10N