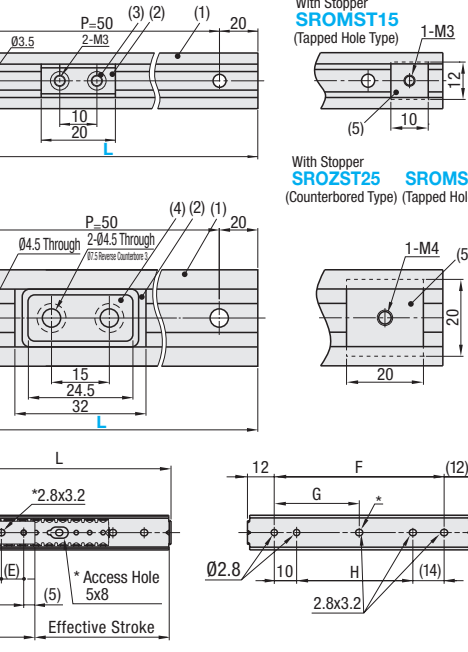
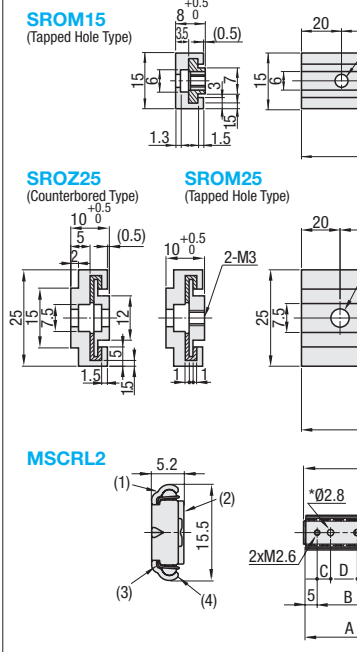


Simplified Slide Rails Load Rating: 28, 110N / pc. 177~235 N / 2 pcs, Aluminum, Lubrication-Free / Stainless Steel, Compact

Features: For Aluminum Type, plastic sliders are used for lubrication-free operation. Stainless Steel Type is compact and suitable for space-saving designs.

Type	Part	Material	Surface Treatment
Set (Slider 1 pc. + Rail 1 pc.) No Stopper With Stopper	(1) Rail	Aluminum Alloy	Clear Anodize
	(2)	Polyacetal	-
	(3) Slider	C3604 Equivalent	-
	(4)	Aluminum Alloy	-
	(5) Stopper	Aluminum Alloy	Clear Anodize
	(6) Set Screw	Stainless Steel	-

⚠️ To prevent the slider fall-off, select with-stopper type.



Features: Sliders are made of polyacetal resin with a strong sliding property, enabling maintenance-free operation.

<Stopper> Retaining stopper can be mounted at any position on the rail.

- ◻ Clearance between a rail and a slider is approximately 0.3 to 0.9 mm.
- ◻ Use in places where guides are subjected to moment load is not recommended.
- ◻ SROMST and SROZST (with stoppers) include 2 stoppers each.
- ◻ For installation of rails, use Hex Socket Extra Low Head Cap Screw (P.2-269) or Nut (P.2-269).

Features: Can be used for various applications as designed to reduce deflection with 15.5mm in height.

- ◻ * marked holes are not provided for Rail Length 80mm Type.
- ◻ Do not apply a strong impact to any rail stopper or any retainer.
- ◻ To install outer rails, use M2.6 low head screws (Head Dia.: 4.0, Head Height: 0.9mm).
- ◻ To install inner rails, use M2.6 machine screws (Thread Length ≤ (Mounting Plate Thickness) + 1.5mm).

Part Number Type	No.	L Selectable	Mounting Number of Holes	Effective Stroke		Load Rating N(kgf) / 2 pcs.	Unit Price	
				(No Stopper) *1	(With Stopper) *2		SROM15	SROM15
Tapped Hole SROM (No Stopper) SROMST (With Stopper)	90	2	64	64	44	28(3) *1 varies depending on conditions.		
	140	3	114	94				
	190	4	164	144				
	240	5	214	194				
	290	6	264	244				
	340	7	314	294				
	390	8	364	344				
	440	9	414	394				
	490	10	464	444				
	540	11	514	494				
	590	12	564	544				
	640	13	614	594				
	690	14	664	644				
	740	15	714	694				
	790	16	764	744				
	840	17	814	794				
	890	18	864	844				
940	19	914	894					
990	20	964	944					
1040	21	1014	994					

Part Number Type	No.	L Selectable	Mounting Number of Holes	Effective Stroke		Load Rating N(kgf) / 2 pcs.	Unit Price				
				(No Stopper) *1	(With Stopper) *2		SROM25	SROZ25	SROM25	SROZ25	
Tapped Hole SROM (No Stopper) SROMST (With Stopper) Counterbored SROZ (No Stopper) SROZST (With Stopper)	90	2	52	52	44	110(11) *1 varies depending on conditions.					
	140	3	102	62							
	190	4	152	112							
	240	5	202	162							
	290	6	252	212							
	340	7	302	262							
	390	8	352	312							
	440	9	402	362							
	490	10	452	412							
	540	11	502	462							
	590	12	552	512							
	640	13	602	562							
	690	14	652	612							
	740	15	702	662							
	790	16	752	712							
	840	17	802	762							
	890	18	852	812							
940	19	902	862								
990	20	952	912								
1040	21	1002	962								

Part Number Type	No.	L Selectable	Mounting Number of Holes	Effective Stroke	A	B	C	D	E	F	G	H	Load Rating N(kgf) / 2 pcs.	Unit Price 1-5 pcs(s), 6-20 pcs.	Volume Discount Rate
		100	5	59	38	28	6	12	10	76	38	52	206(21)		
		150	5	109	38	28	6	12	10	126	63	102			
		200	5	149	48	38	10	14	14	176	88	152	235(24)		

*1. Effective stroke (No Stopper) is the dimension value with a margin of approx. 3mm set from each end to avoid dropout of sliders.
 *2. Effective stroke (With Stopper) is the dimension value with a margin of approx. 3mm set from contacts of sliders and stoppers to avoid conflict between them.
 ◻ Maximum Allowable Speed is 0.85m/sec

Ordering Example: Part Number - L
SROM15 - 1040
SROZ25 - 540
MSCRL2 - 150

Alterations: Part Number - L - (T, Z)
SROM25 - 540 - T2

Alterations	Code	Spec.
Additional Slider	Tapped Hole Type	Sliders are added. Please specify additional slider quantity after T and Z. Selection Example
	Counterbore Hole Type	

Additional Slider Qty.	Ordering Code	Slider Total Qty.
5	SROM25-540-T5	6
1	SROM25-540-T1-Z2	4

◻ Added sliders are the same size as that of the original part number model.
 ◻ No.15 ≤ 20 x Slider Total Qty.
 ◻ No.25 ≤ 32 x Slider Total Qty.
 ◻ Possible to add up to 10 pcs.