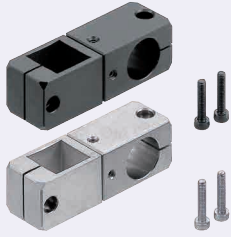


Strut Clamps

Square / Round Hole, Rotation

■ **Features:** Combined with Square Tubes and Stand-Up Brackets, Strut Clamps can prevent rotation while adjusting height.

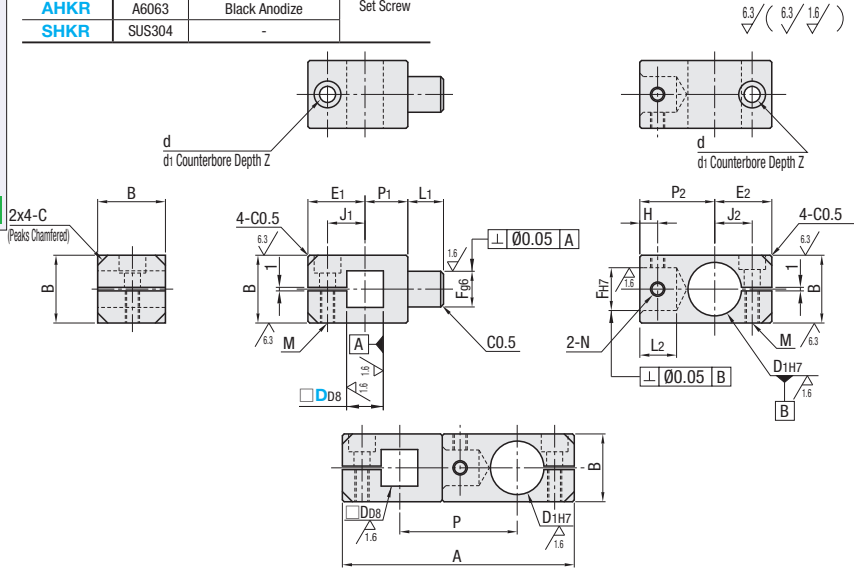
■ Square / Round Hole, Rotation



RoHS 10

Type	Material	Surface Treatment	Accessory
KHKR	SS400	Black Oxide	Hex Socket Head Set Screw
MHKR		Electroless Nickel Plating	
AHKR	A6063	Black Anodize	
SHKR	SUS304	-	

⚠ Accessory: CB screws (P2-171) and MSSK (P2-210) are included with black oxide/black anodized products, and SCB screws (P2-173) and MSSU (P2-210) are included with the other products, respectively.



Part Number		D1H7*		F	g6	H7	A	B	P	P1	P2	L1	L2	E1	E2	H	J1	J2	M (Coarse)	N (Coarse)	d	d1	Z	C	
Type	DD8*	D	H																						
KHKR	8	+0.062	8	+0.015	5	-0.004 -0.012	+0.012 0	43	12	19	7	12	6	6.3	12.5	11.5	3	8	7	M3	M3	3.5	6	3	2
	10	+0.040	10	0				52	13	23	9	14			15	15		14	10						
MHKR	12	+0.077	12	+0.018	10	-0.005 -0.014	+0.015 0	67	19	33	12	21	10	10.3	18	16	5	12.5	10.5	M4	M4	4.5	7.5	5	3
AHKR	15	+0.050	15	0				78	25	39	15	24			24	22		15	13						
SHKR	20	+0.098	20	+0.021	10	-0.005 -0.014	+0.015 0	90	30	44	18	26	10	10.3	20.5	18.5	5	18	16	M5	M5	5.5	9	5.5	4
	25	+0.065	25	0				24	22	18	16														

* The tolerance and perpendicularity of D8 and D1H7 are the tolerances before slitting.

⚠ For mating, g6, f8 shaft tolerances of D1 are recommended. Tightening with a long wrench is recommended.



Ordering Example

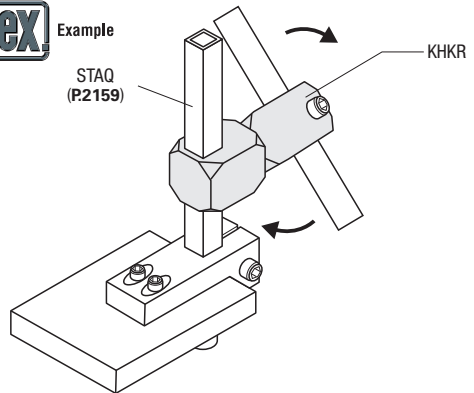
Part Number

KHKR20



Example

STAQ (P2159)



D	Unit Price			
	KHKR	MHKR	AHKR	SHKR
8				
10				
12				
15				
20				
25				

■ Included Screw

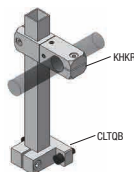
D	Included Screw
8	M3-8, 2 pcs.
10	M4-8, 2 pcs.
12	M4-10, 2 pcs.
15	M4-12, 2 pcs.
20	M4-20, 2 pcs.
25	M5-20, 2 pcs.



Example Selection Procedure Details P87

e-Catalog Search Keyword #MA843 Search

* Enter the search keyword in the search box on e-Catalog. The search result will be shown in "Modular Assembler" area.



e-Catalog Search Keyword #MA846 Search

* Enter the search keyword in the search box on e-Catalog. The search result will be shown in "Modular Assembler" area.

